

2002 SYSTEM WIRING DIAGRAMS TOYOTA

Corolla

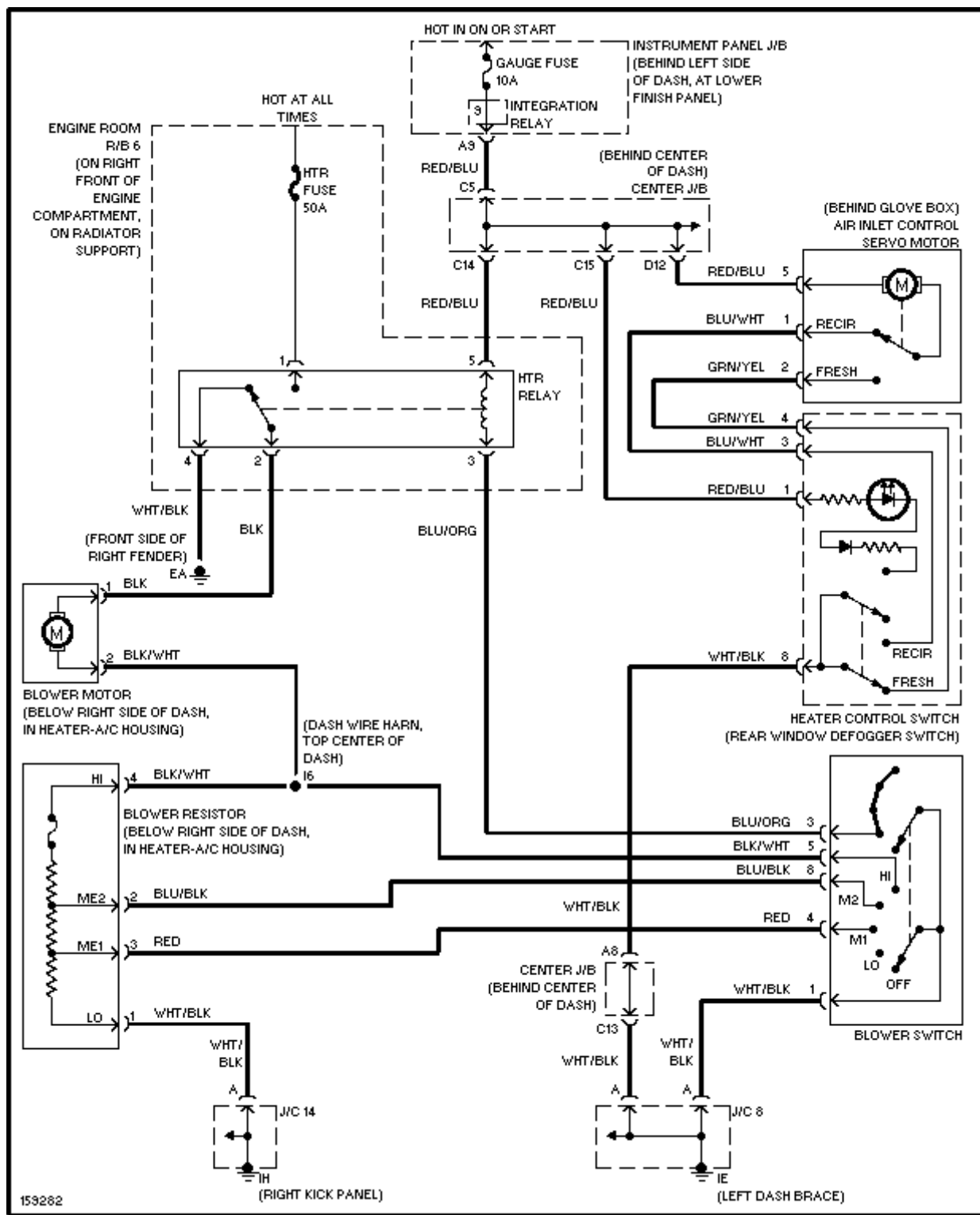


Fig. 1: Heater Circuit

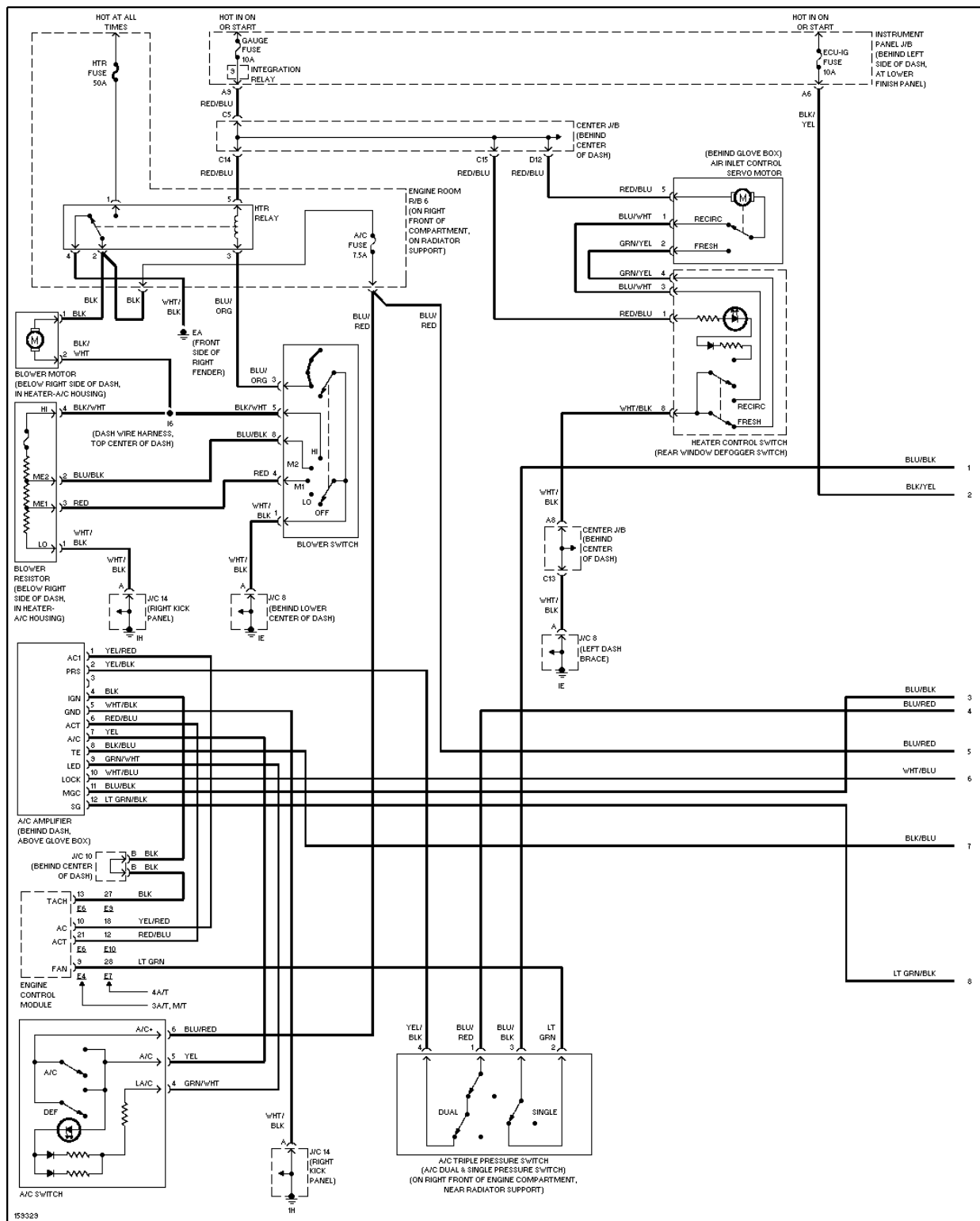


Fig. 2: Manual A/C Circuit (1 of 2)

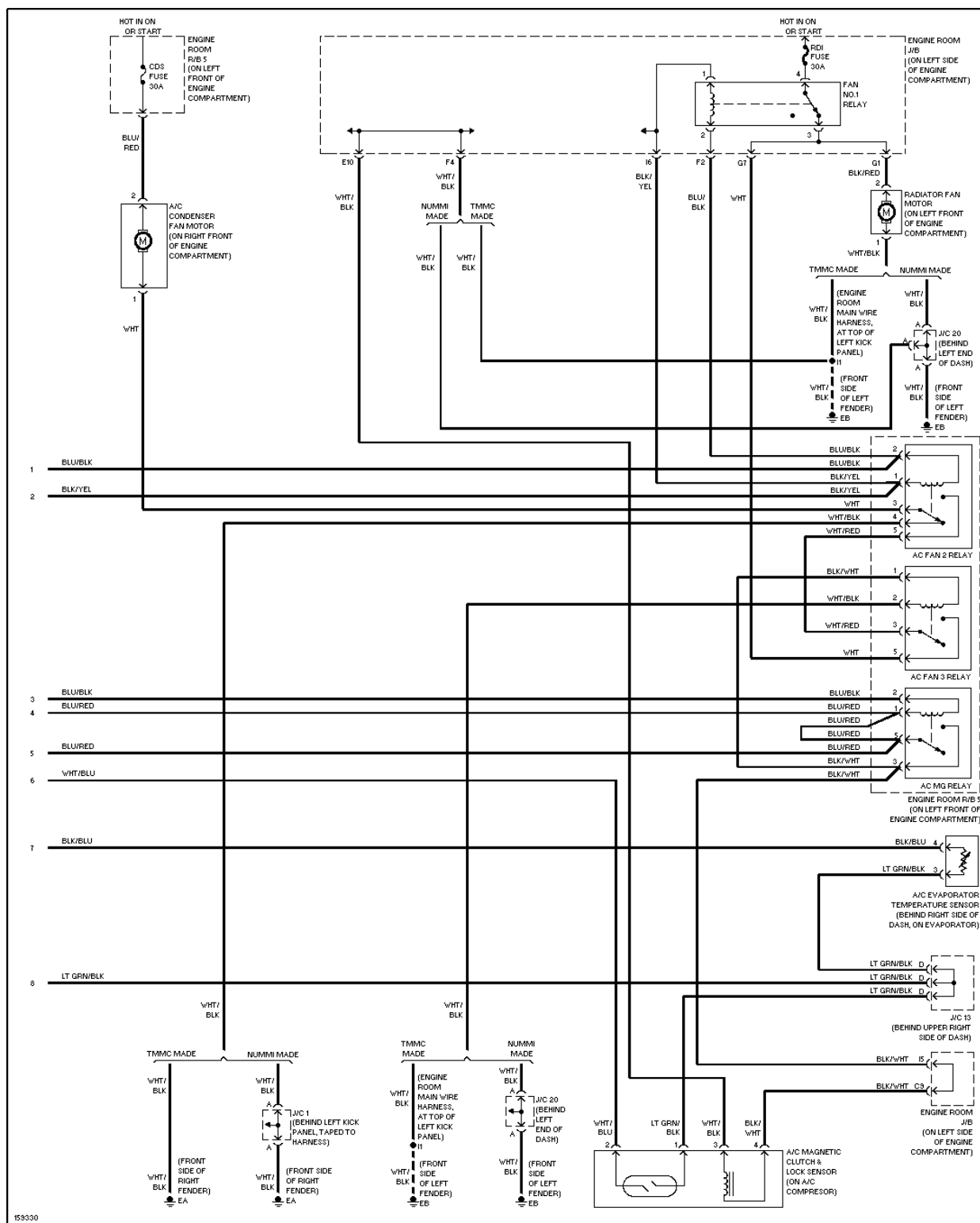


Fig. 3: Manual A/C Circuit (2 of 2)

ANTI-LOCK BRAKES

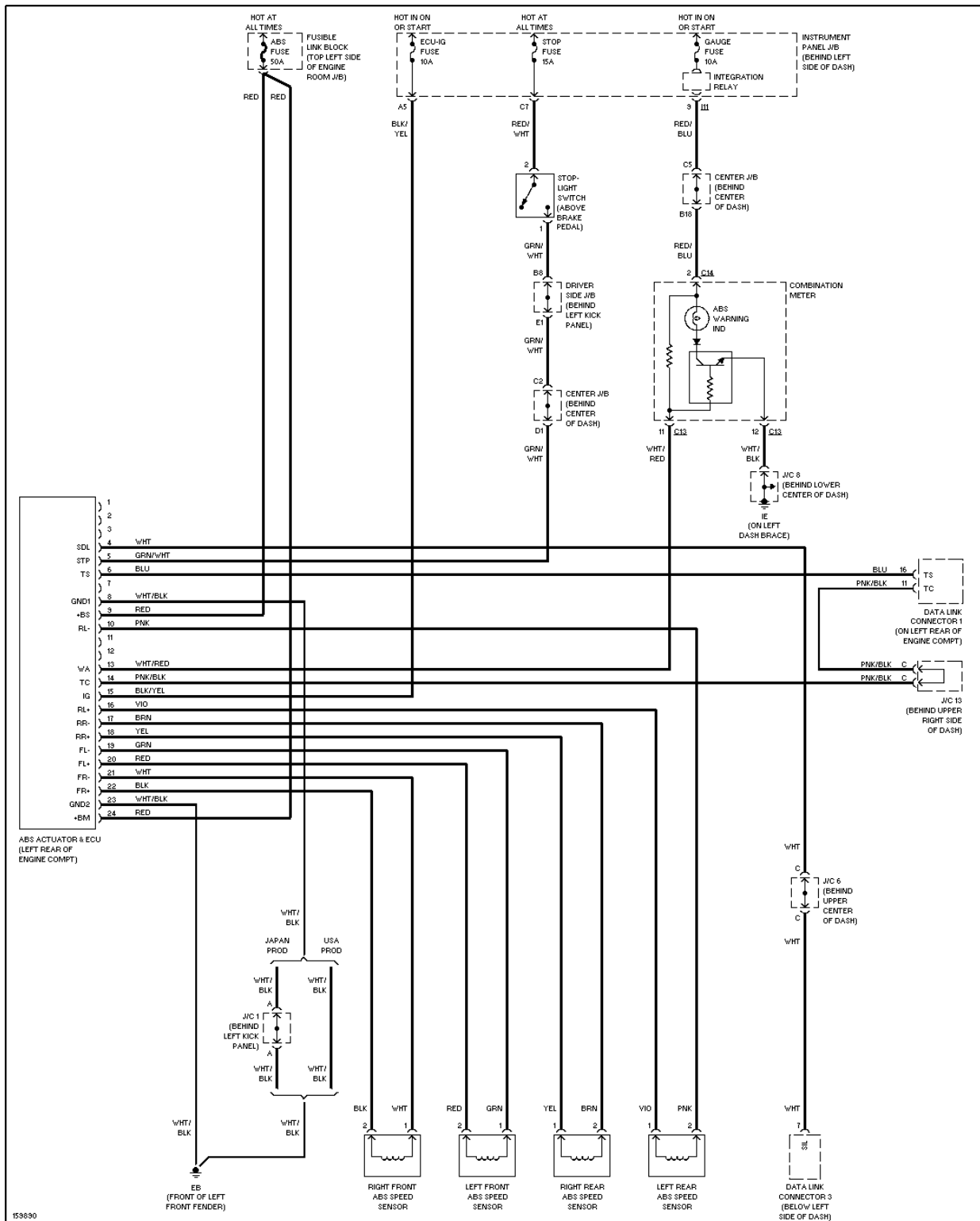


Fig. 4: Anti-lock Brake Circuits

COMPUTER DATA LINES

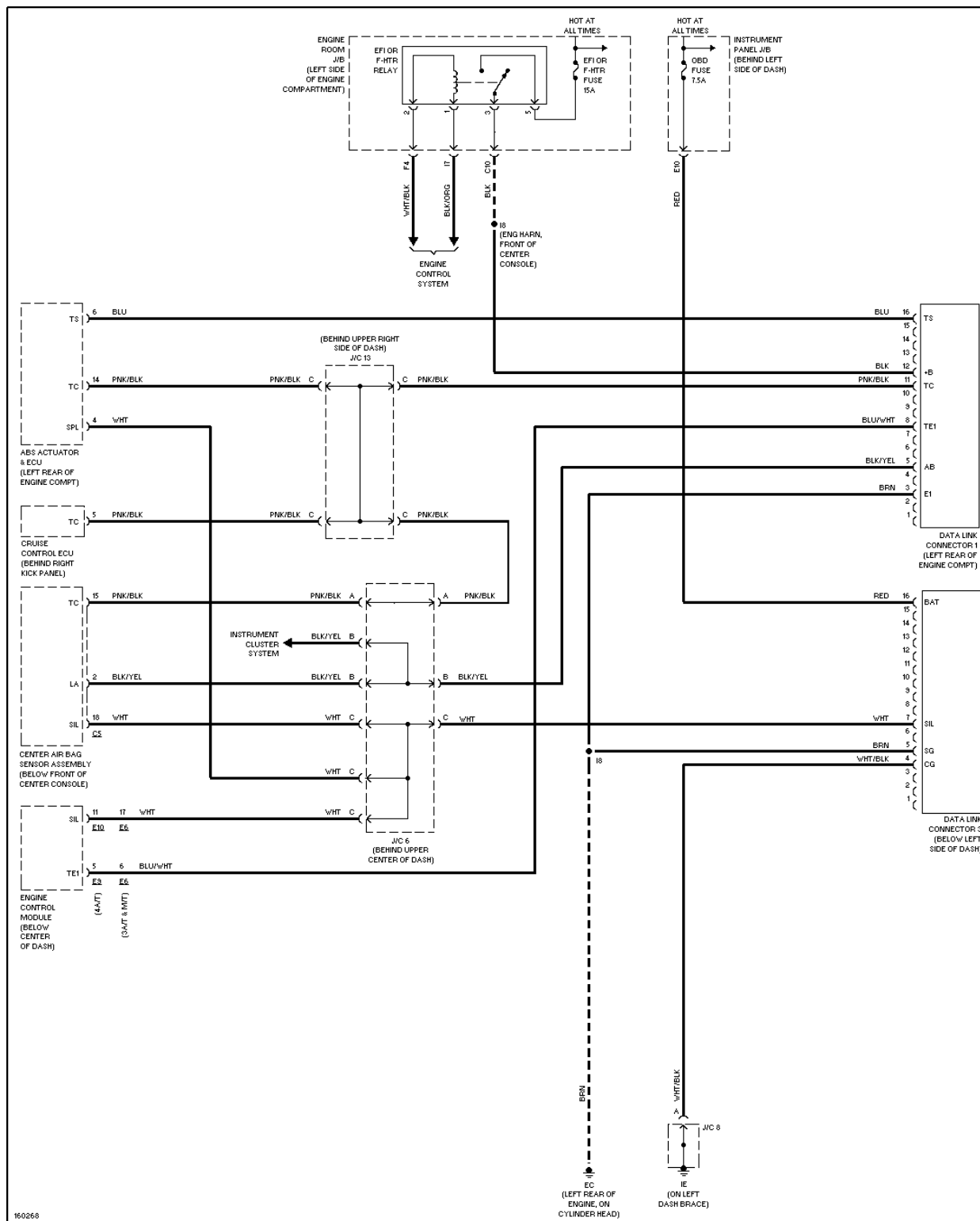


Fig. 5: Computer Data Lines

COOLING FAN

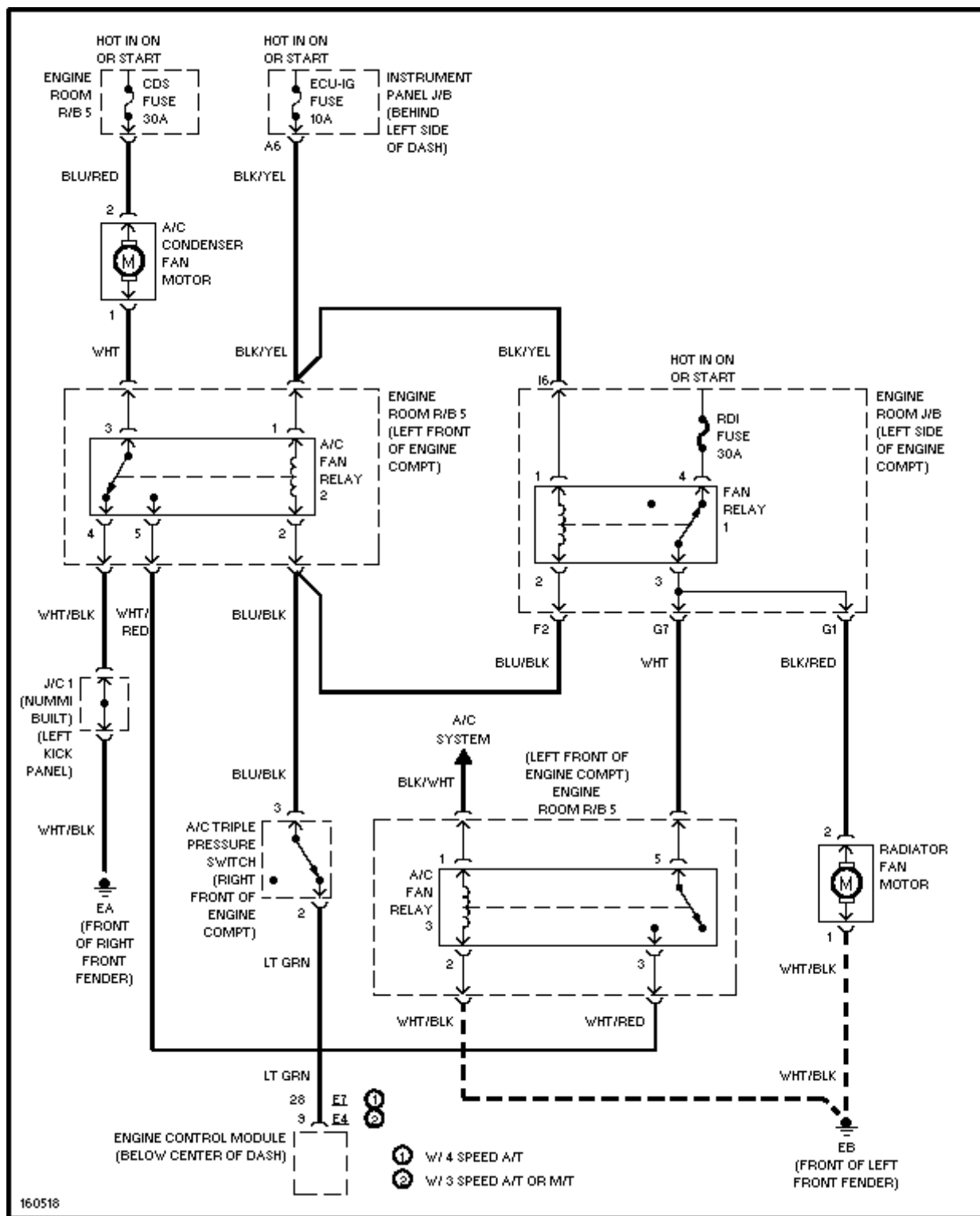


Fig. 6: Cooling Fan Circuit

CRUISE CONTROL

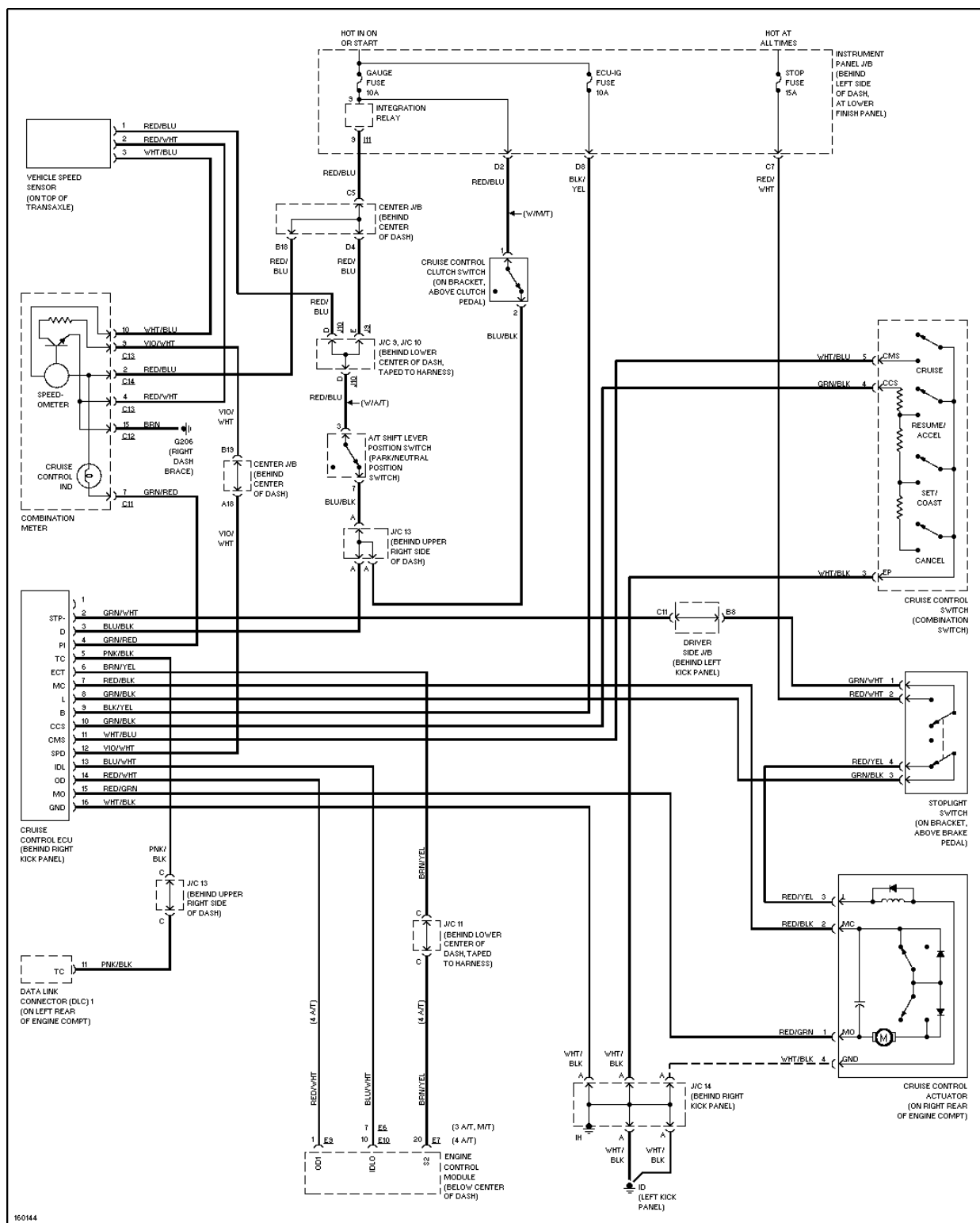


Fig. 7: Cruise Control Circuit

DEFOGGERS

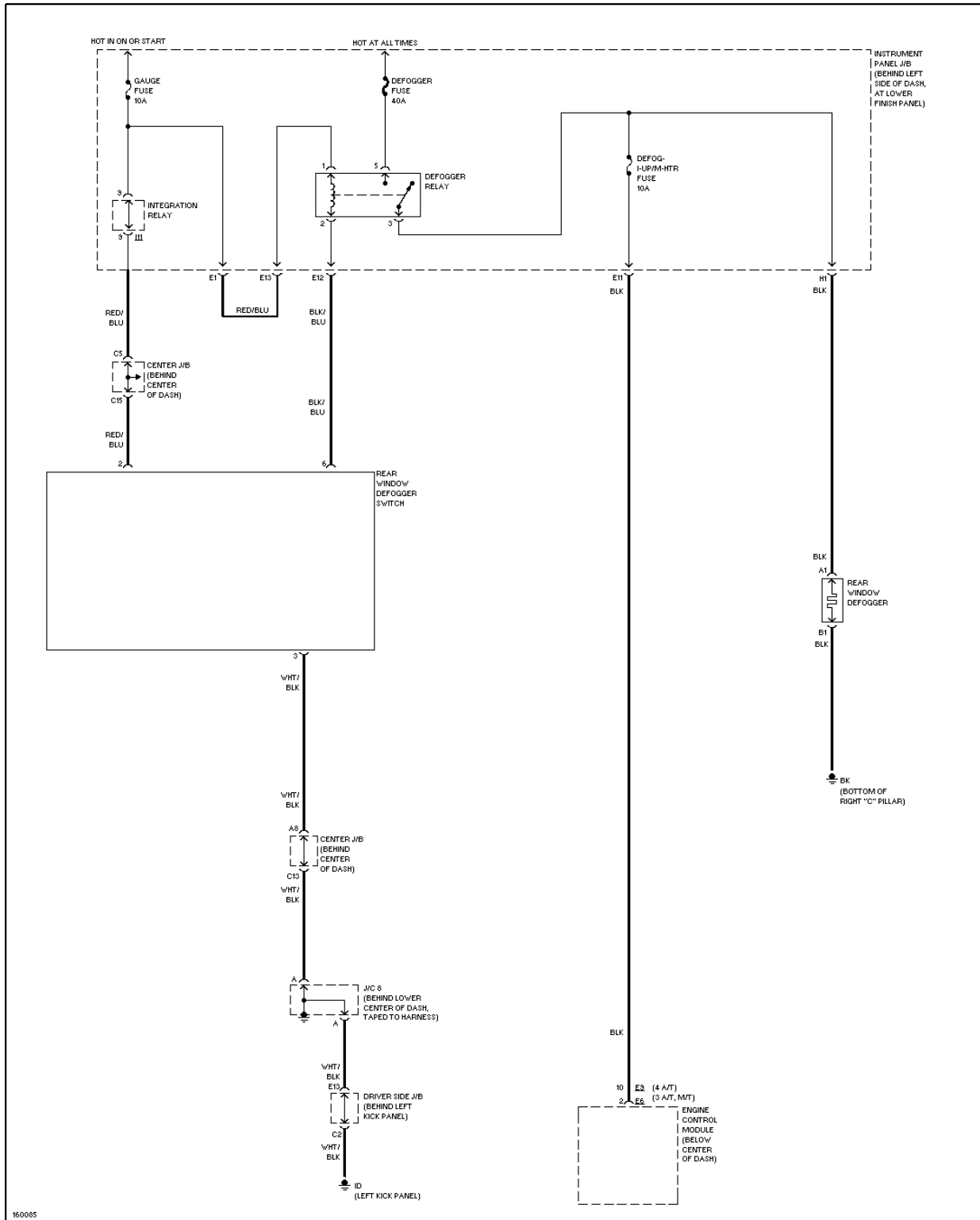


Fig. 8: Defogger Circuit

ENGINE PERFORMANCE

1.8L

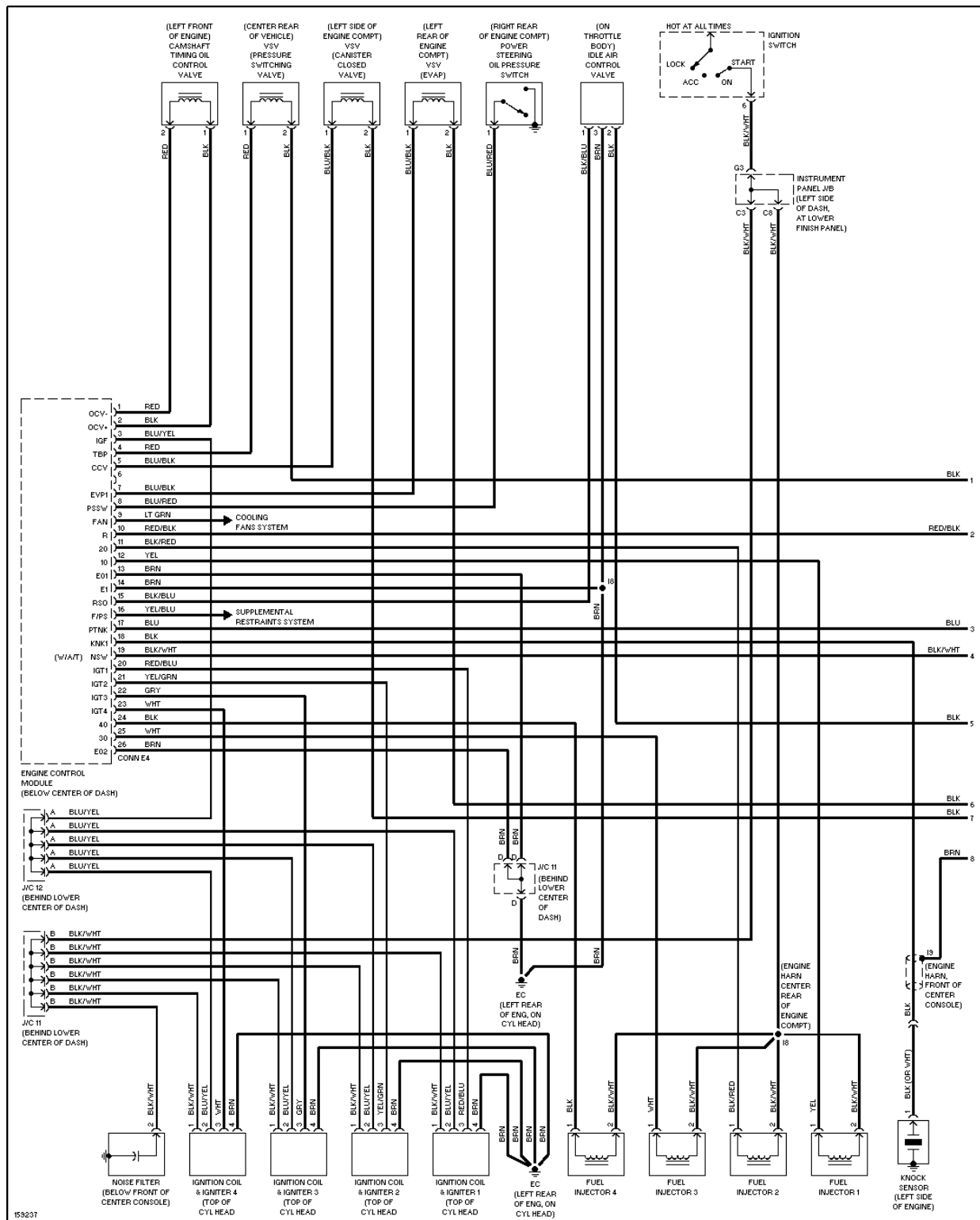


Fig. 9: 1.8L, Engine Performance Circuits, 3 Speed A/T & M/T (1 of 3)

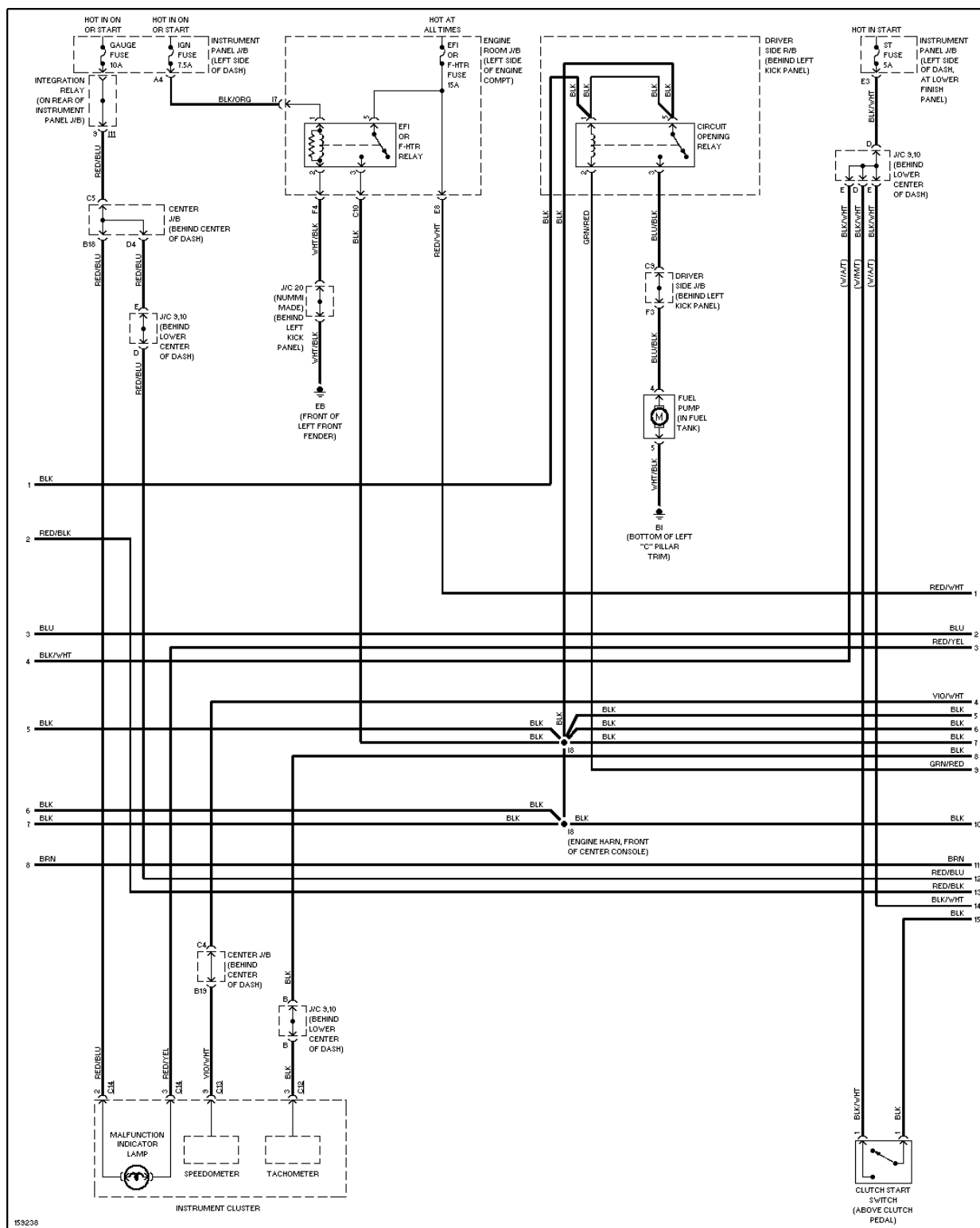


Fig. 10: 1.8L, Engine Performance Circuits, 3 Speed A/T & M/T (2 of 3)

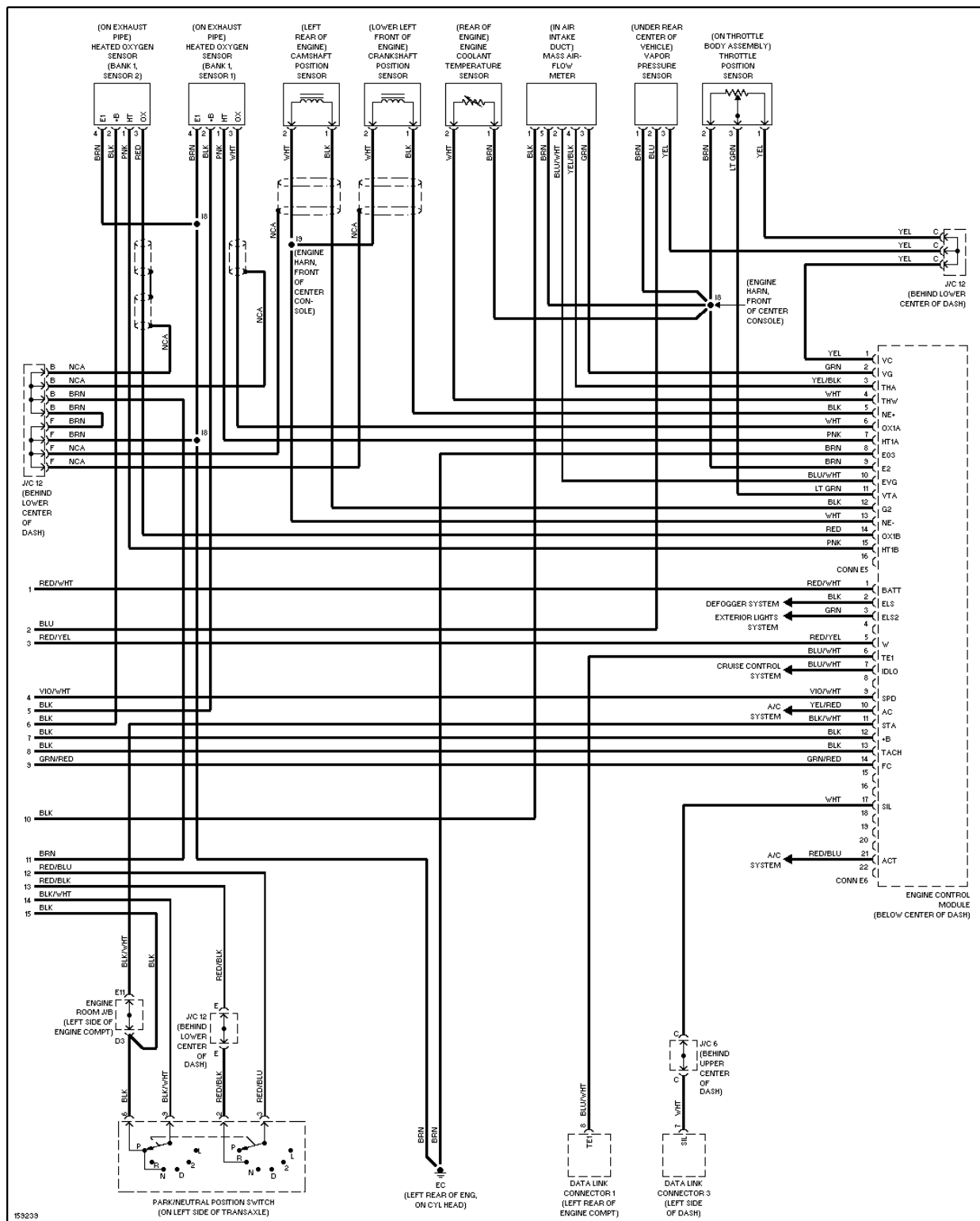


Fig. 11: 1.8L, Engine Performance Circuits, 3 Speed A/T & M/T (3 of 3)

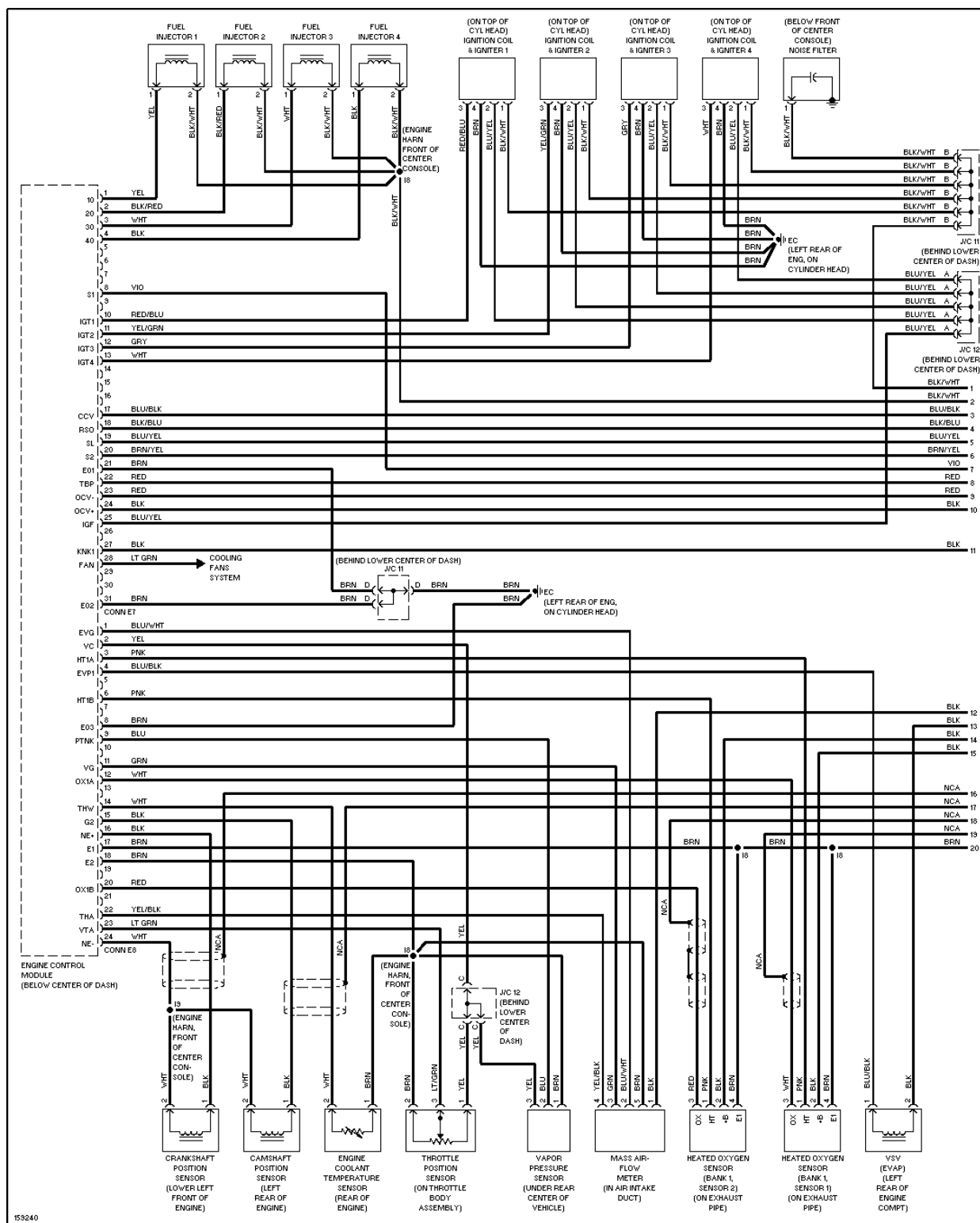


Fig. 12: 1.8L, Engine Performance Circuits, 4 Speed A/T (1 of 3)

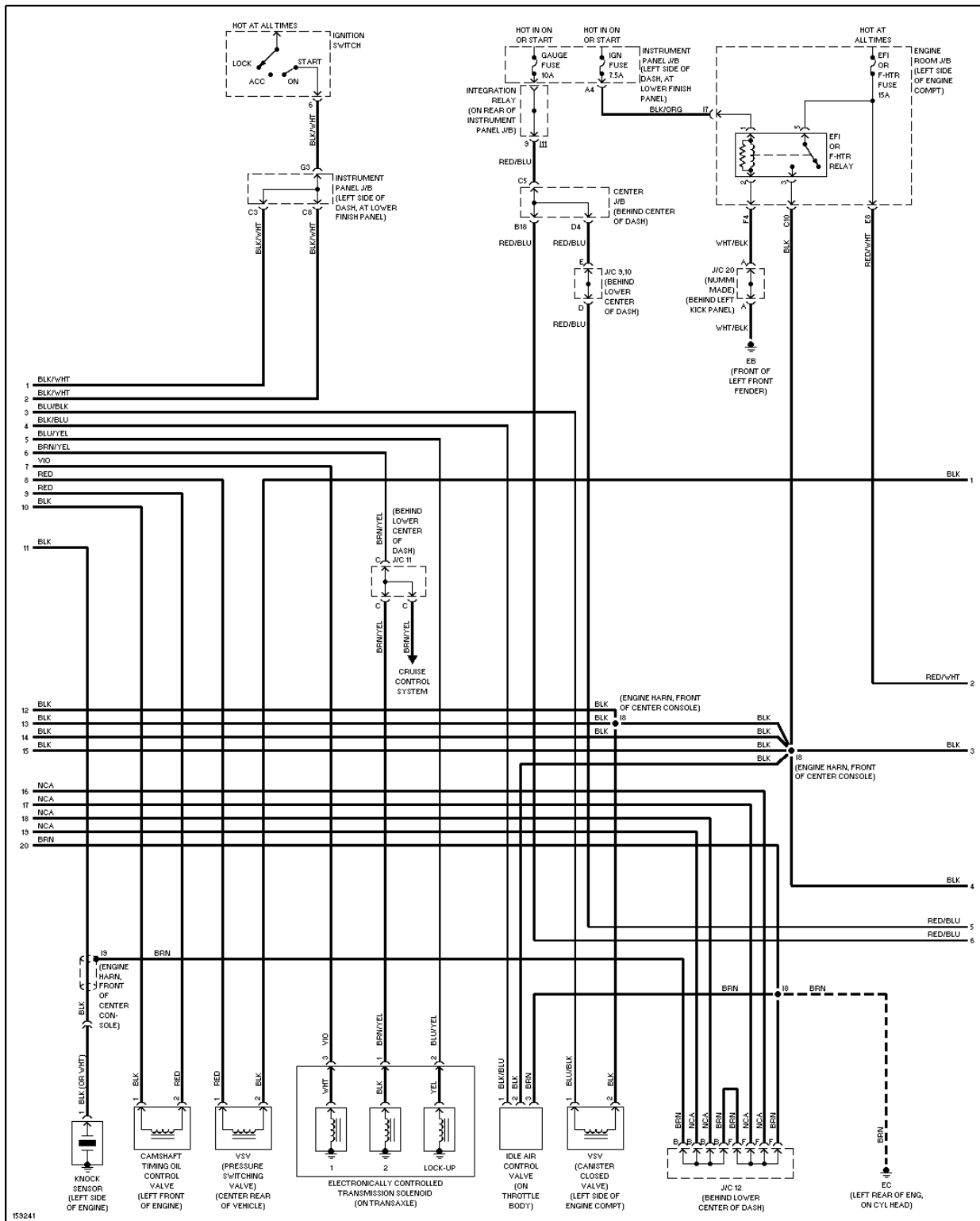


Fig. 13: 1.8L, Engine Performance Circuits, 4 Speed A/T (2 of 3)

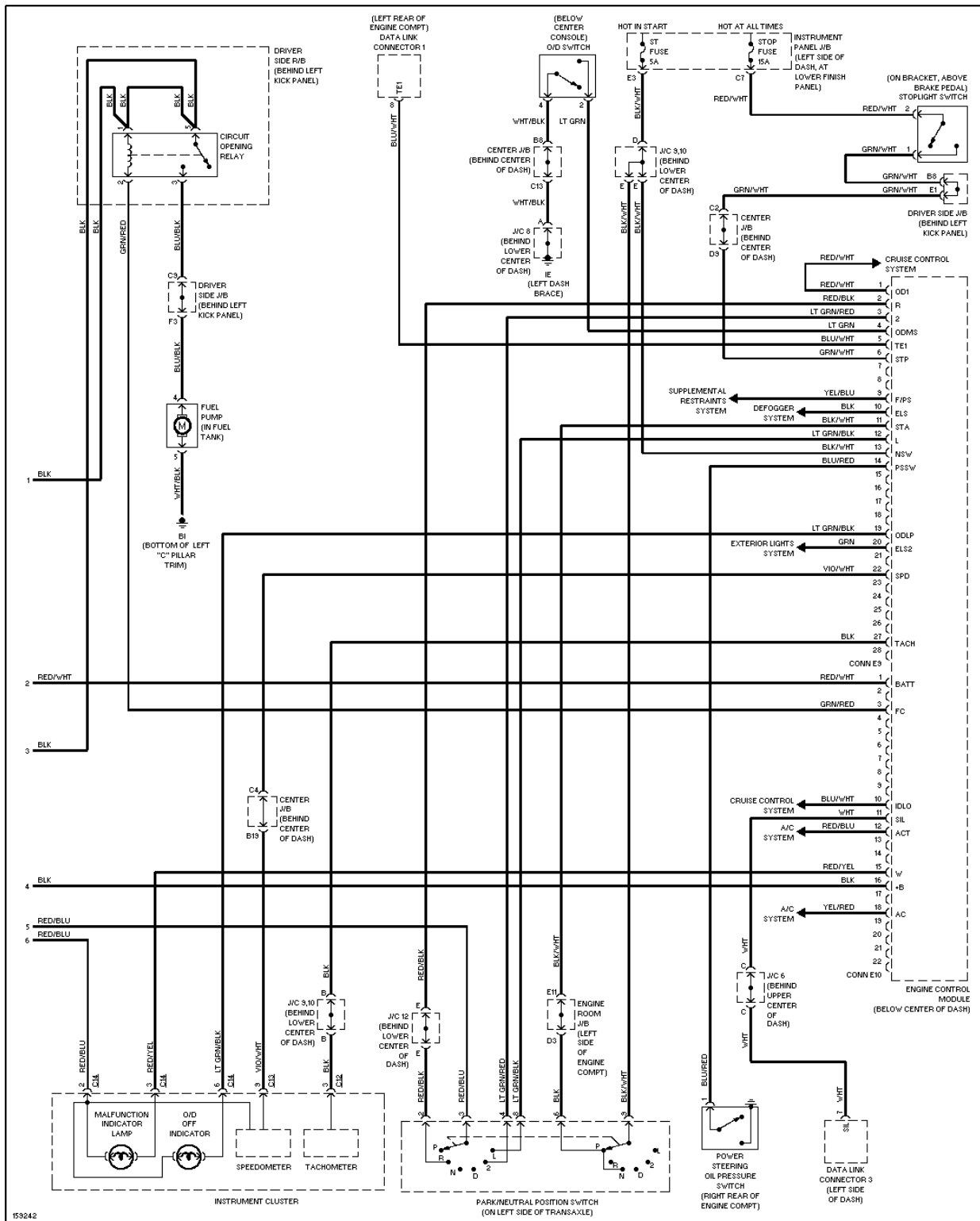


Fig. 14: 1.8L, Engine Performance Circuits, 4 Speed A/T (3 of 3)

EXTERIOR LIGHTS

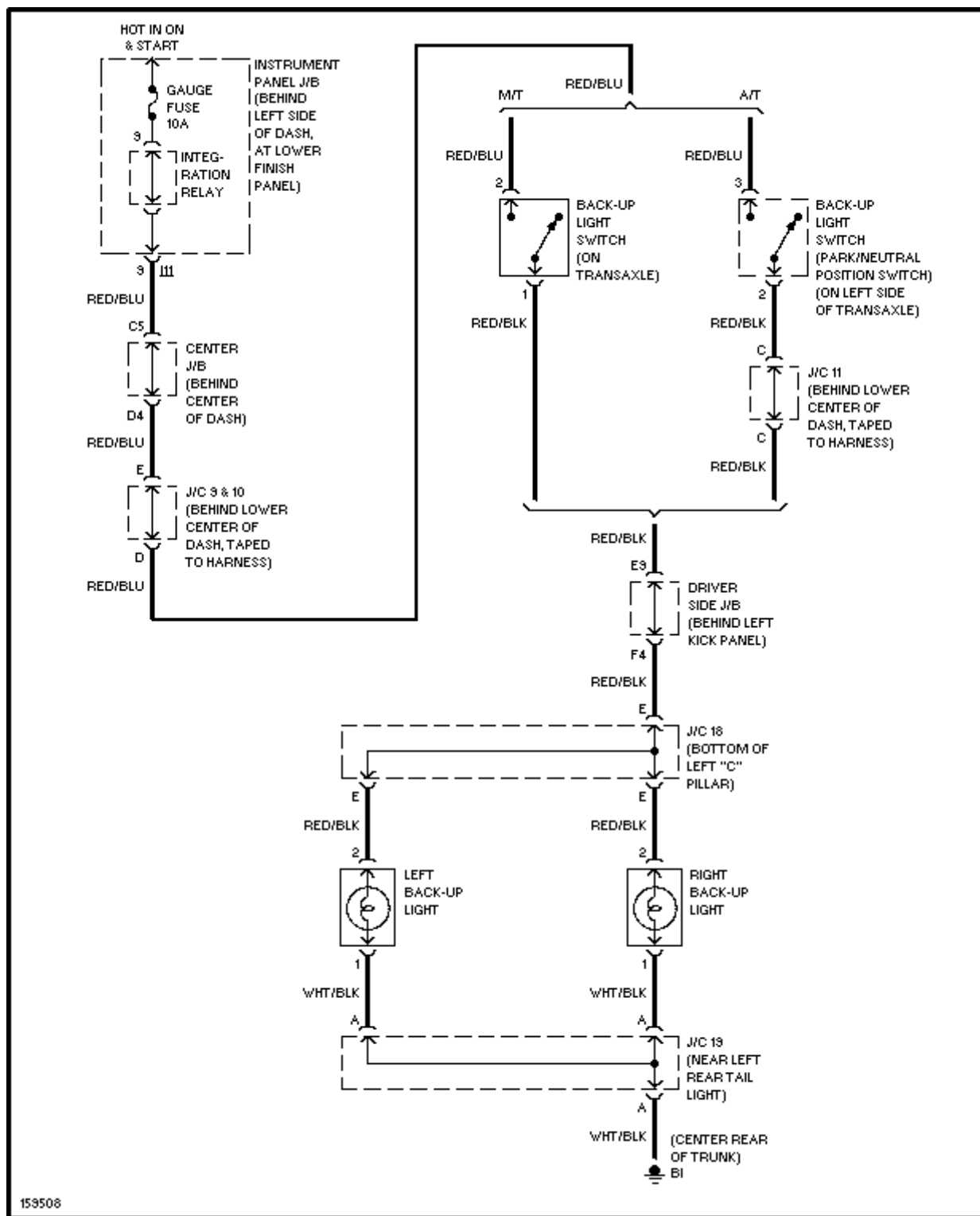


Fig. 15: Back-up Lamps Circuit

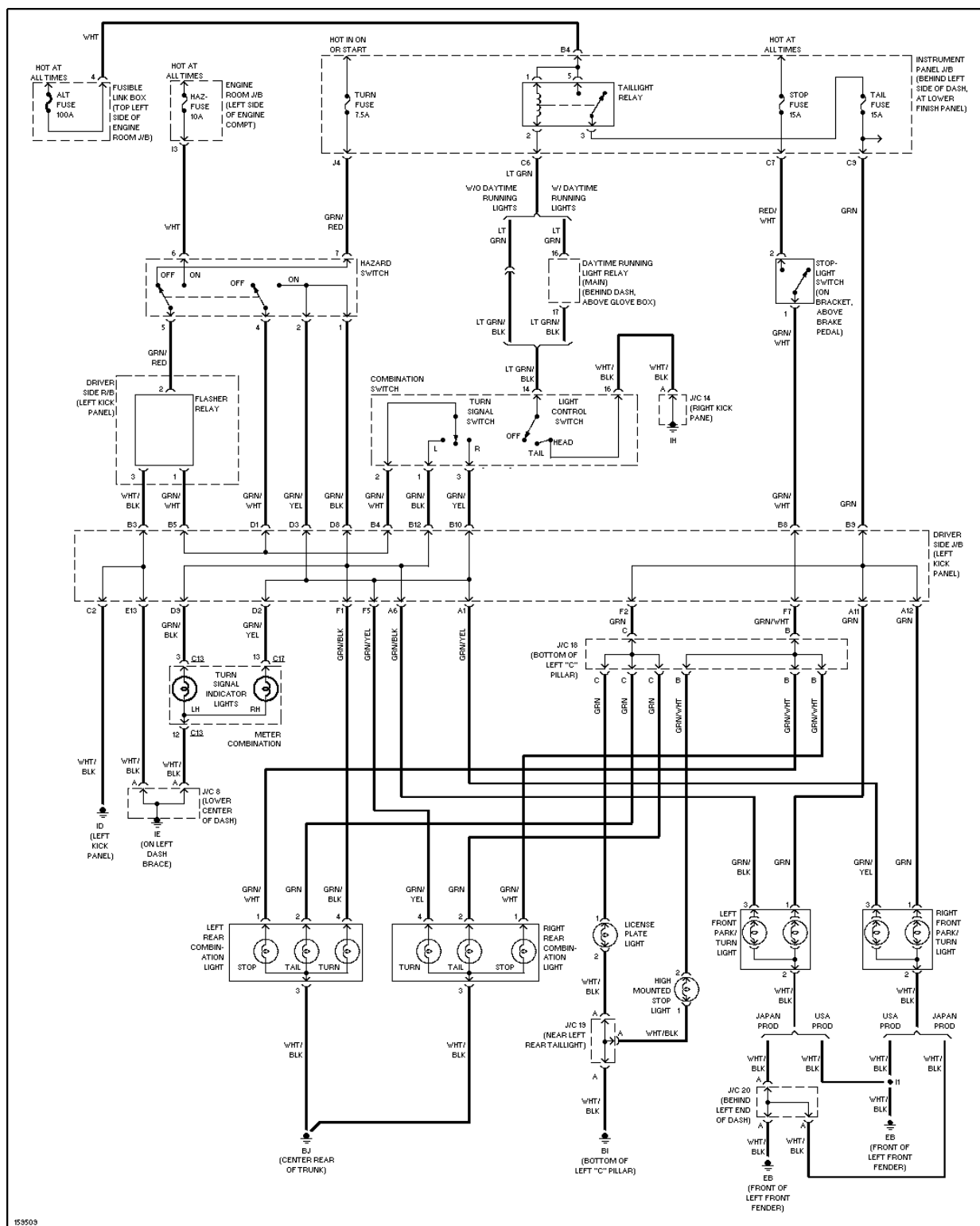


Fig. 16: Exterior Lamps Circuit
GROUND DISTRIBUTION

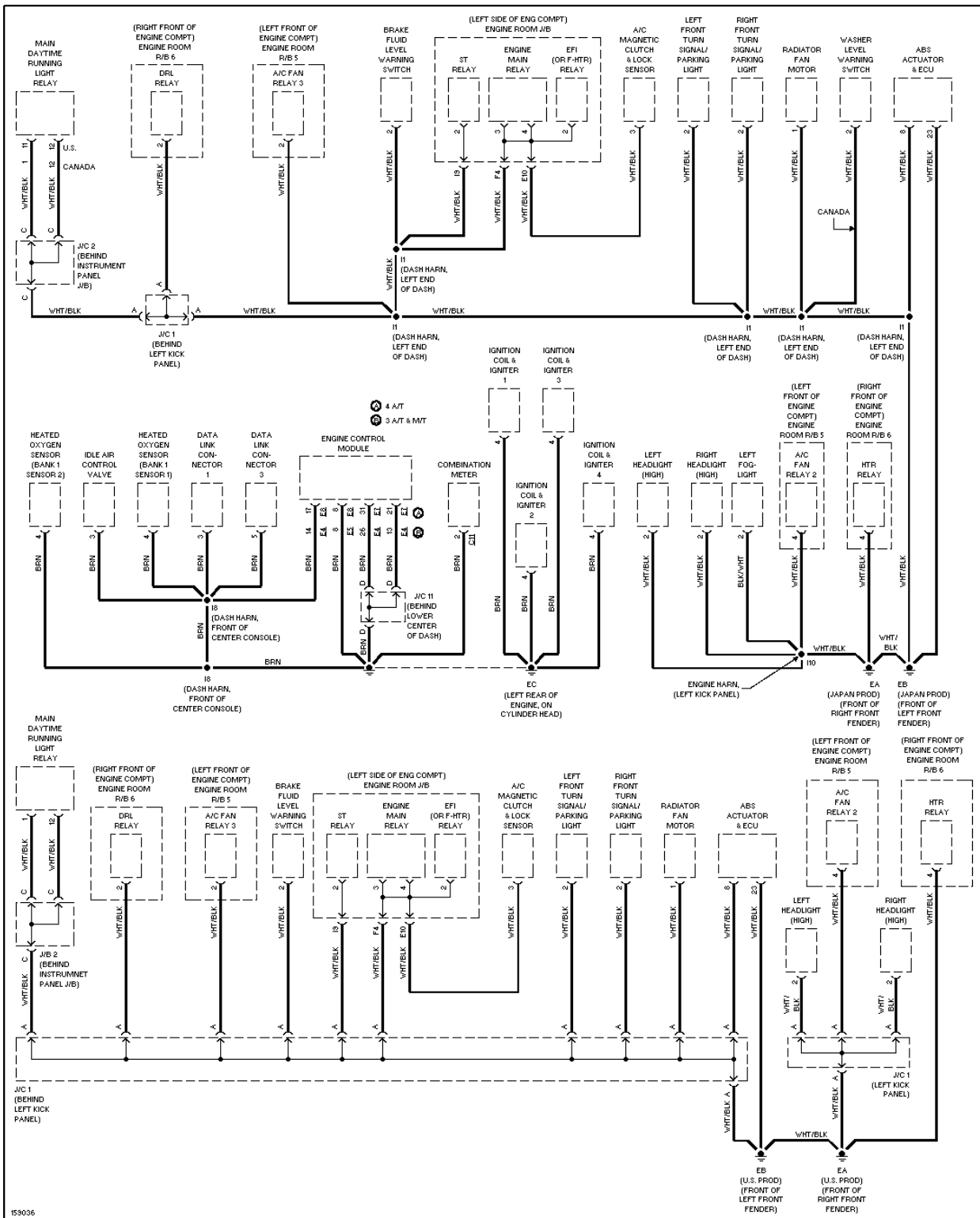


Fig. 17: Ground Distribution Circuit (1 of 3)

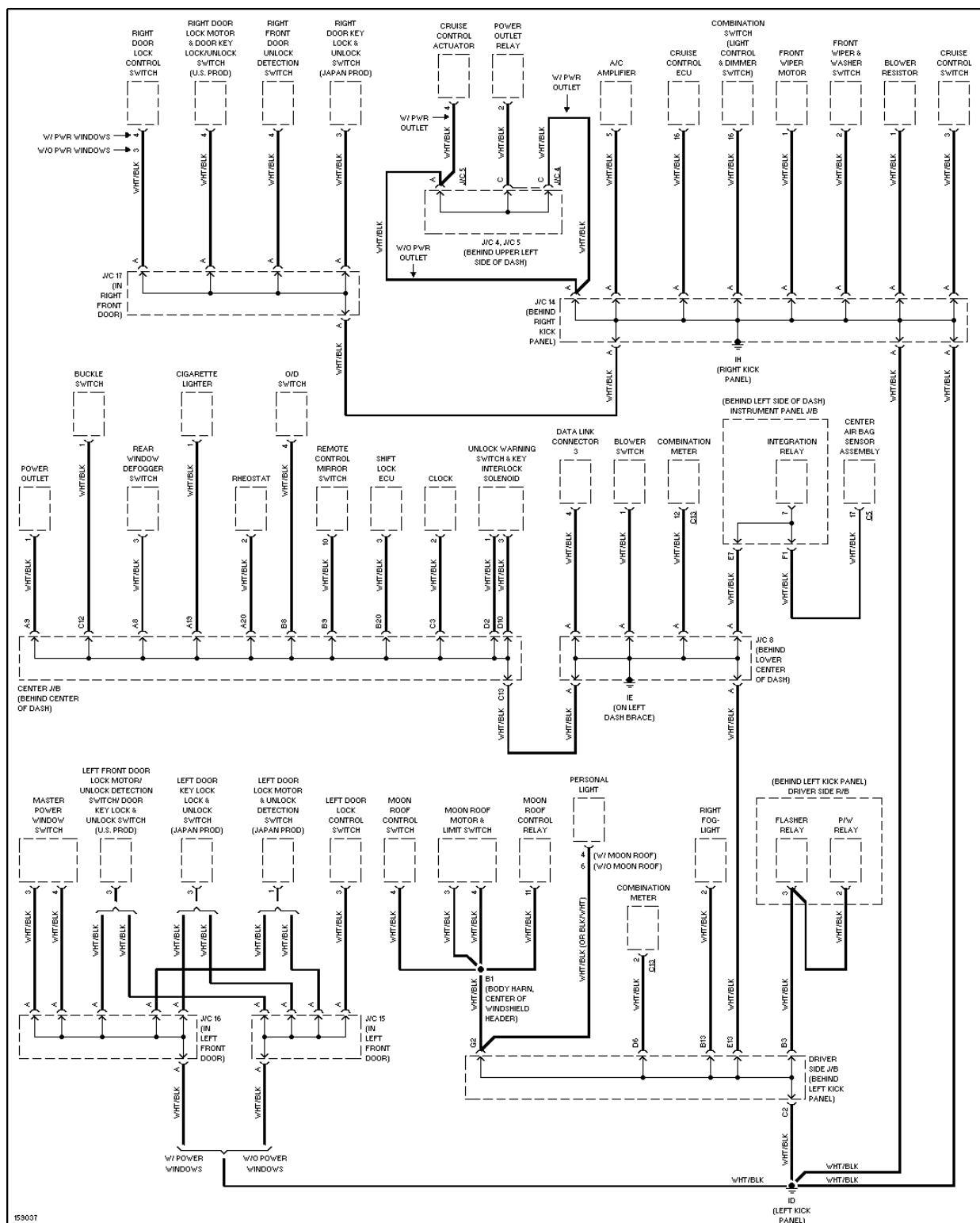
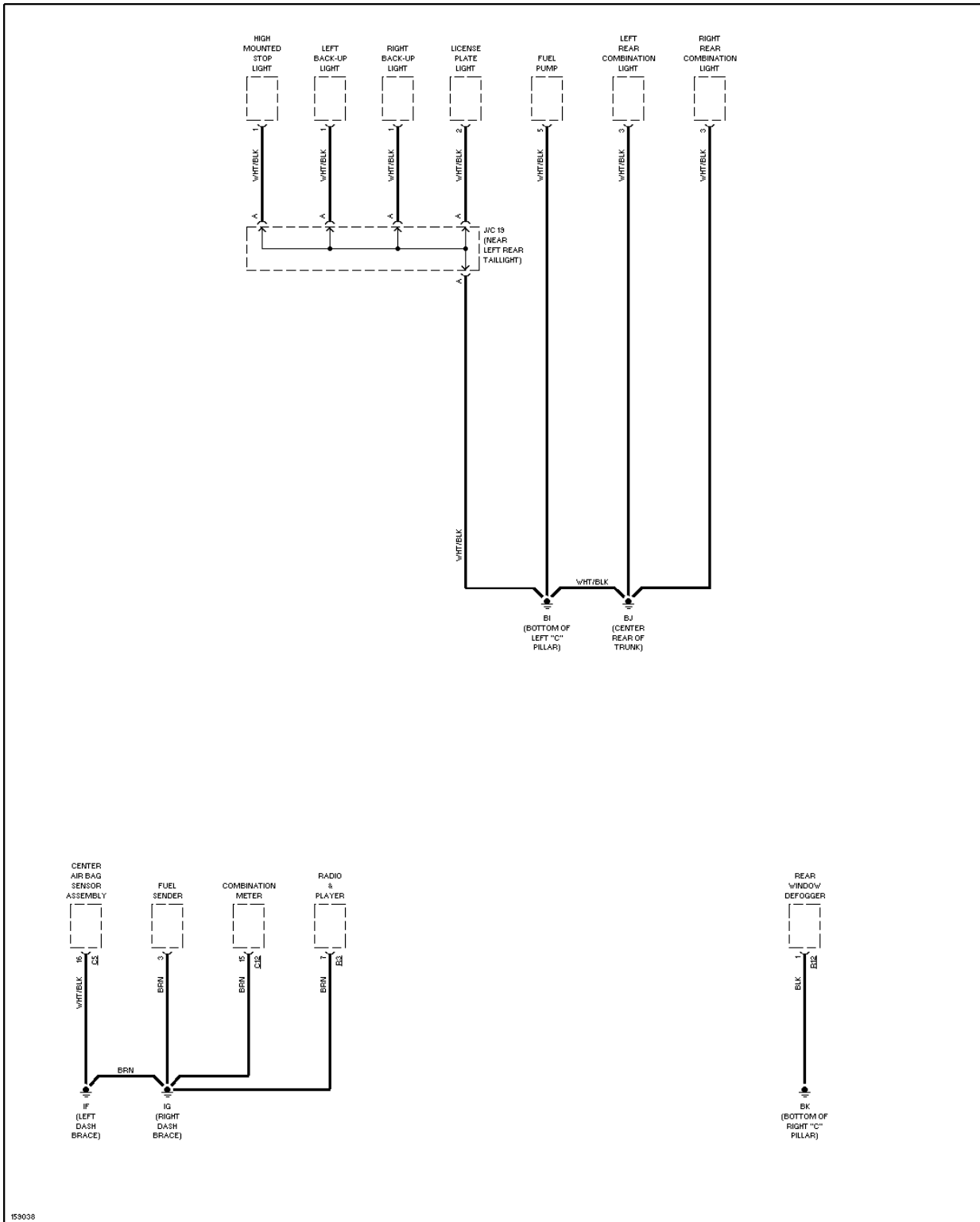


Fig. 18: Ground Distribution Circuit (2 of 3)



159038

Fig. 19: Ground Distribution Circuit (3 of 3)

HEADLIGHTS

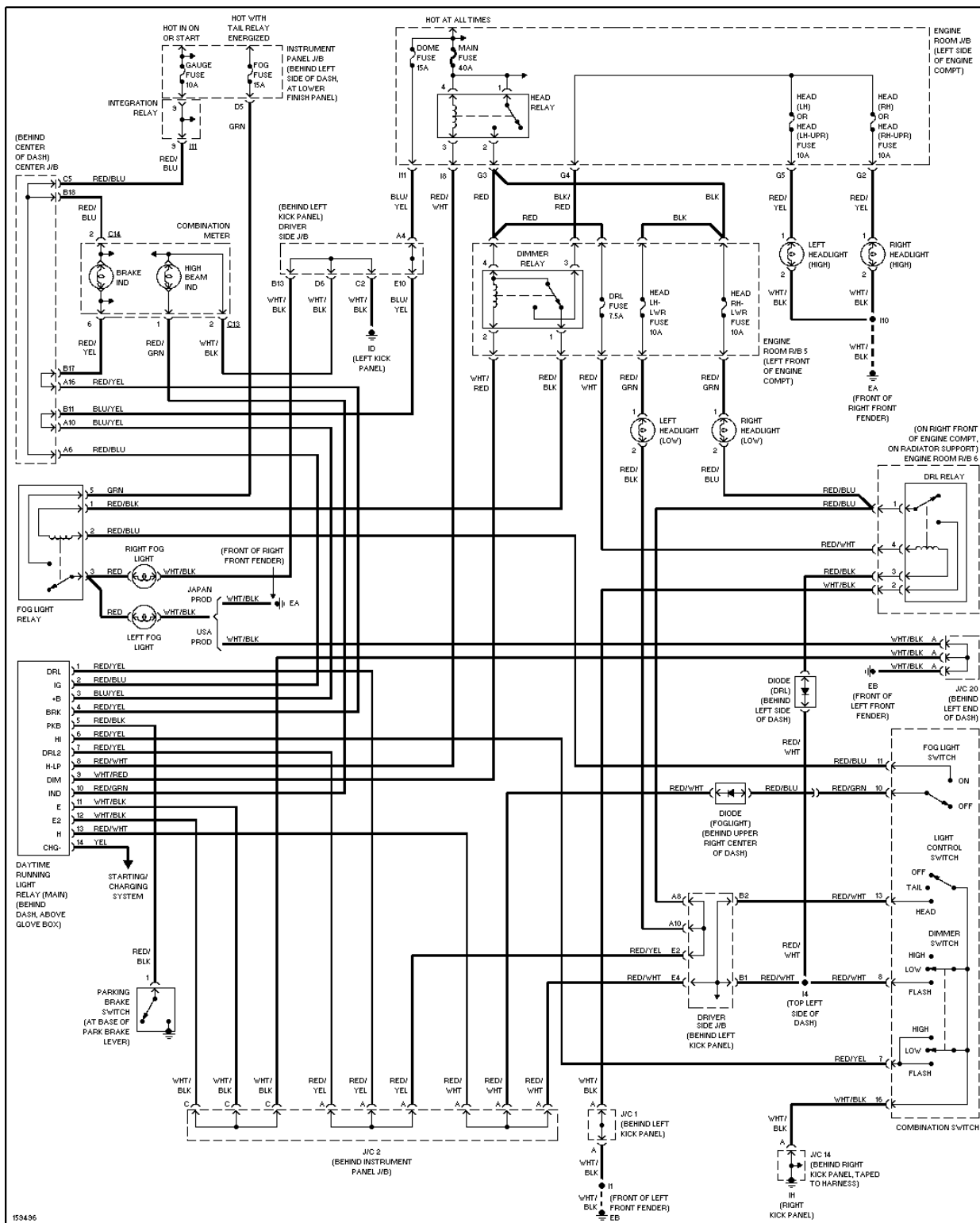


Fig. 20: Headlight Circuit, Canada

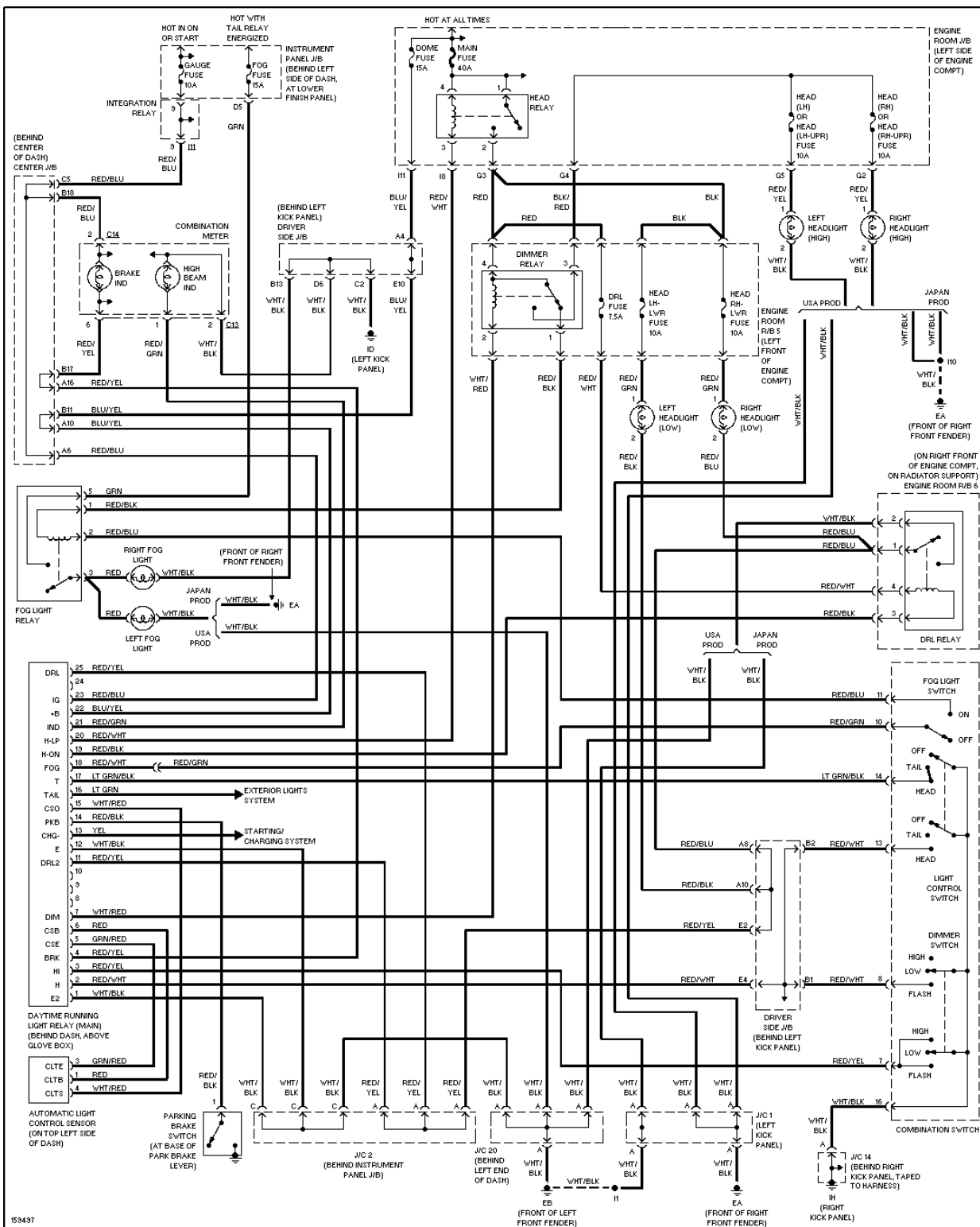


Fig. 21: Headlight Circuit, USA

HORN

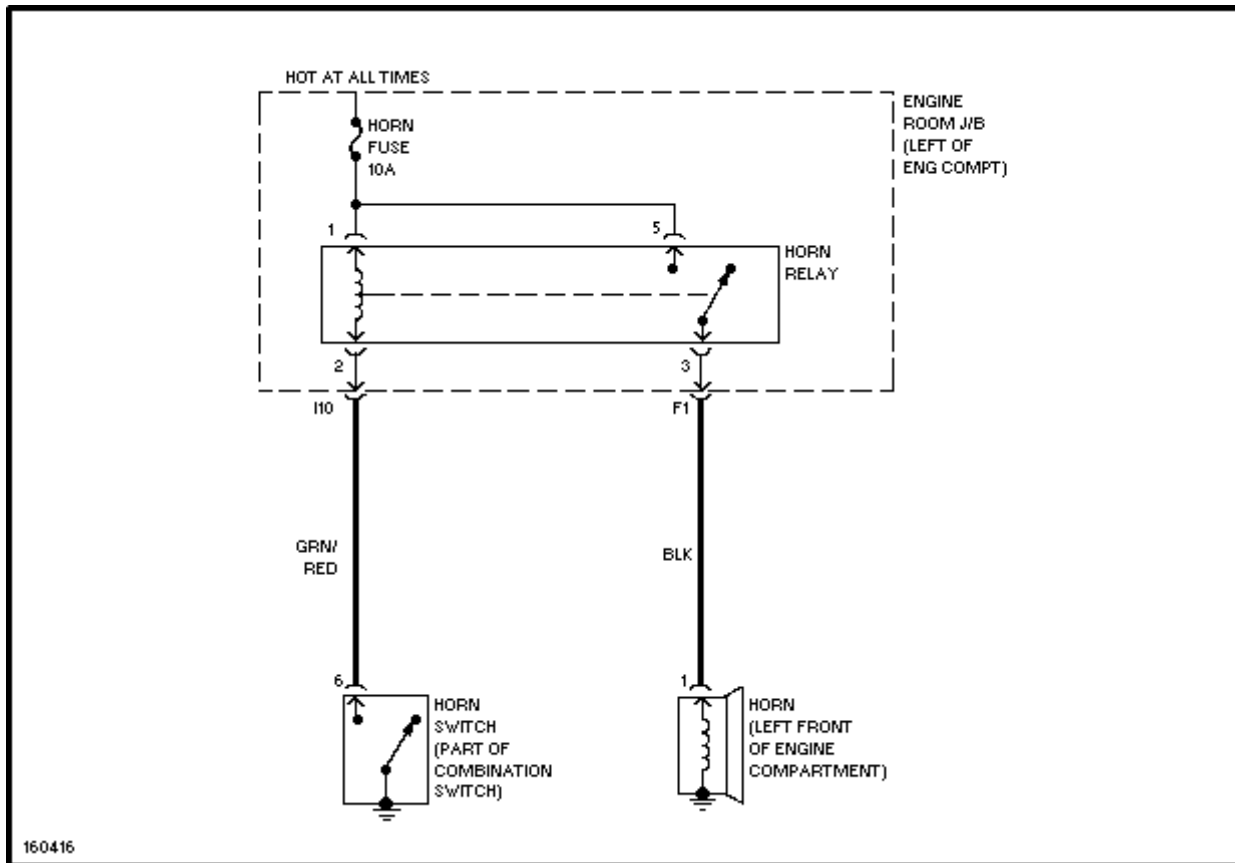


Fig. 22: Horn Circuit

INSTRUMENT CLUSTER

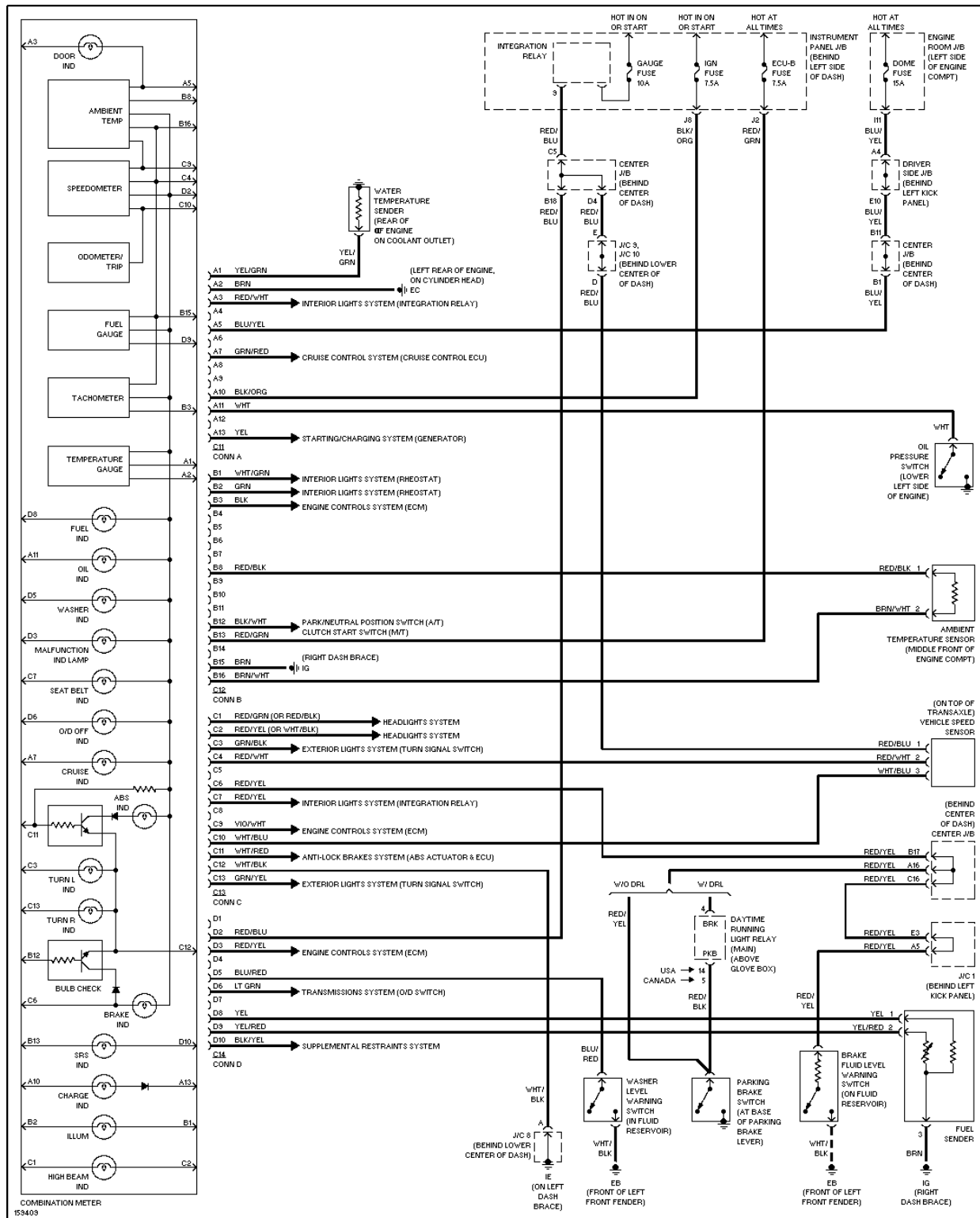


Fig. 23: Instrument Cluster Circuit

INTERIOR LIGHTS

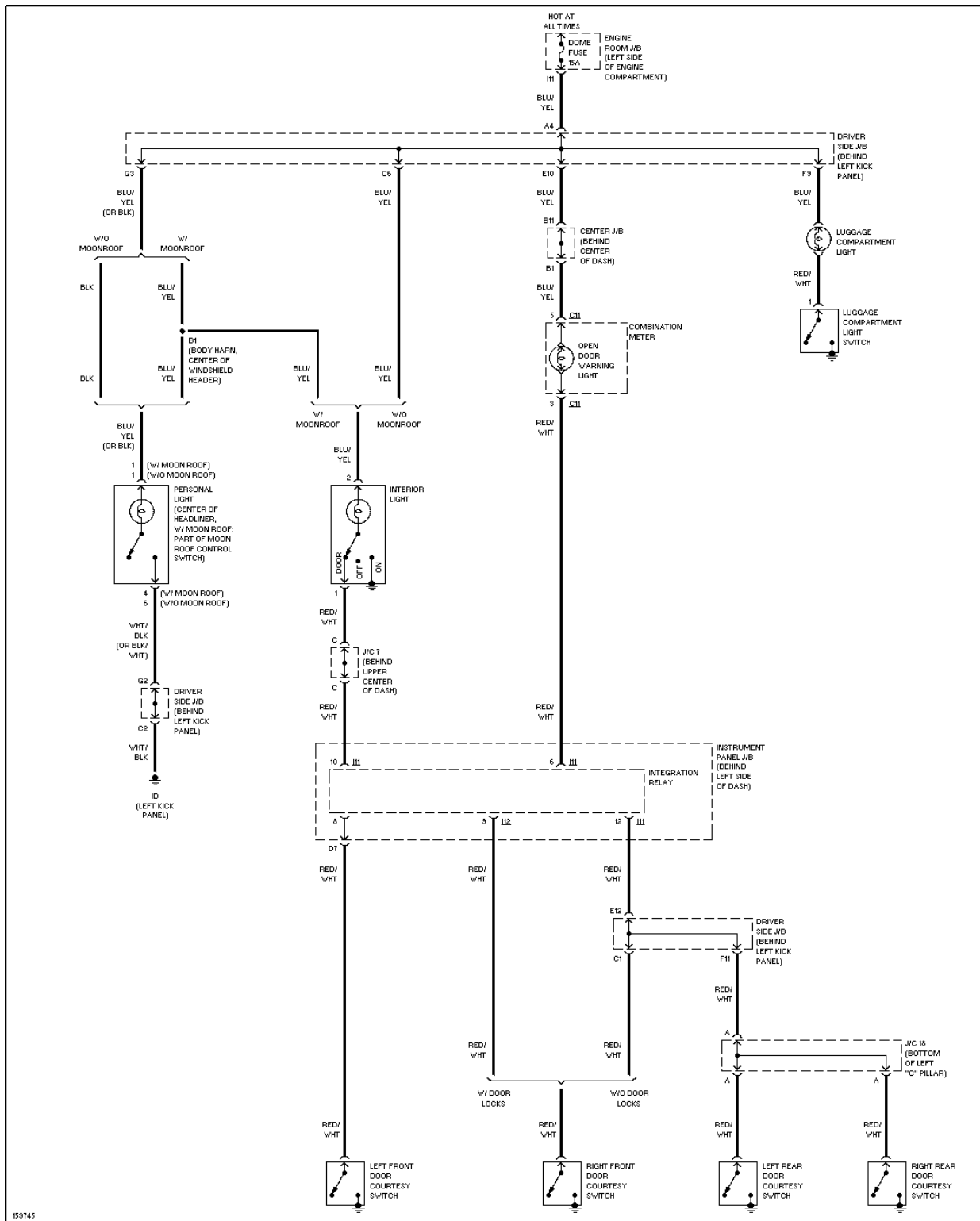


Fig. 24: Courtesy Lamps Circuit

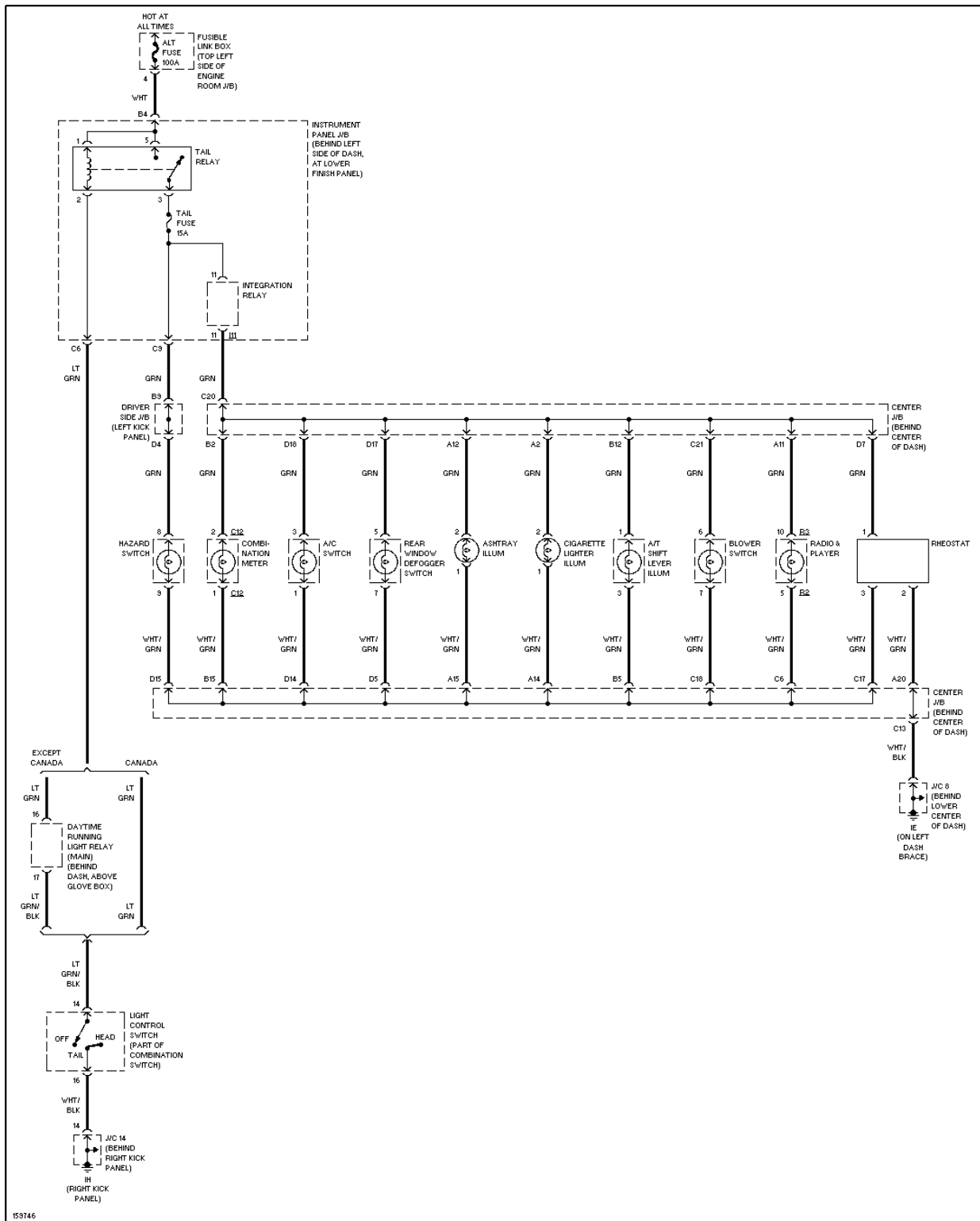


Fig. 25: Instrument Illumination Circuit

POWER DISTRIBUTION

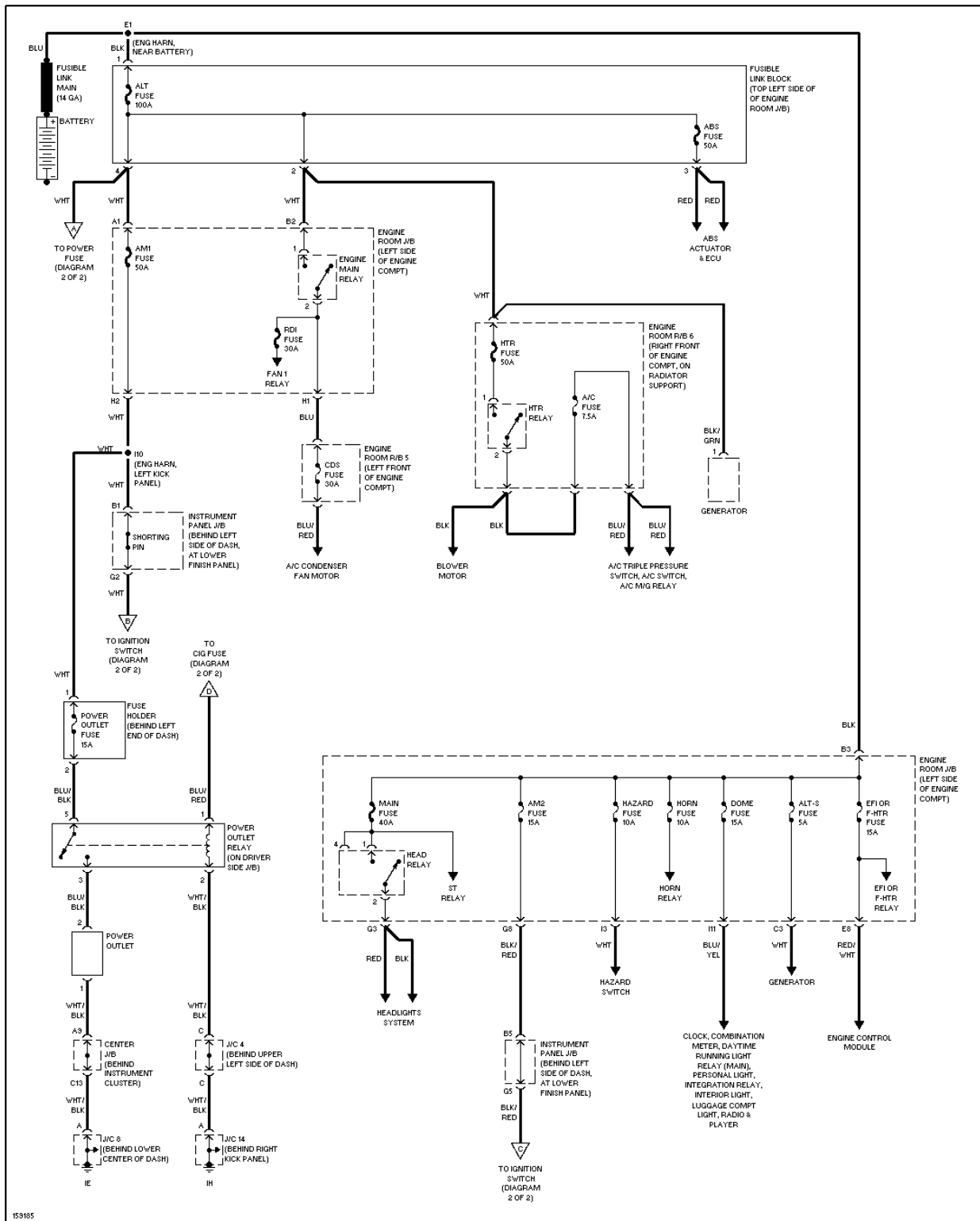


Fig. 26: Power Distribution Circuit (1 of 2)

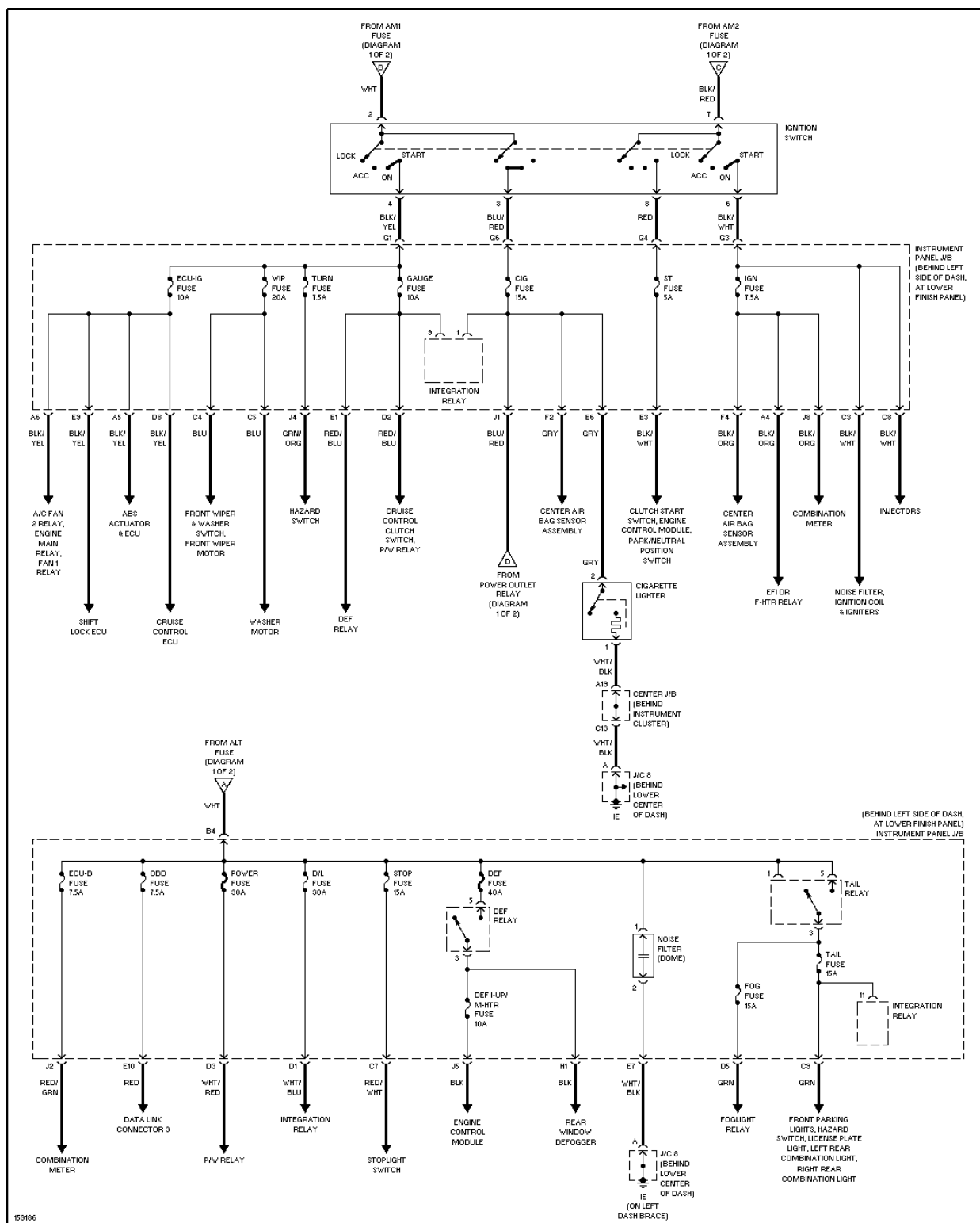


Fig. 27: Power Distribution Circuit (2 of 2)

POWER DOOR LOCKS

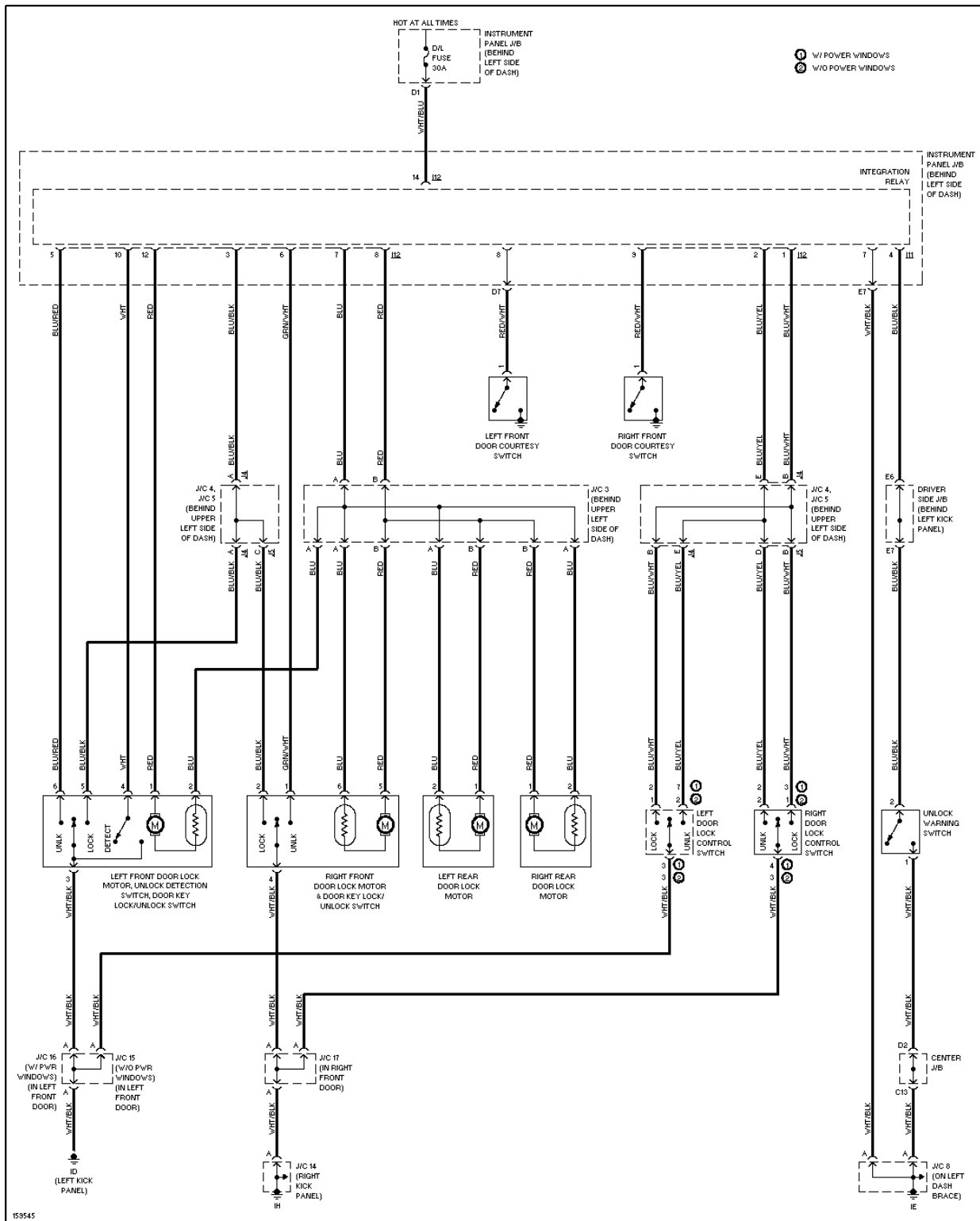


Fig. 28: Power Door Lock Circuit, NUMMI Made

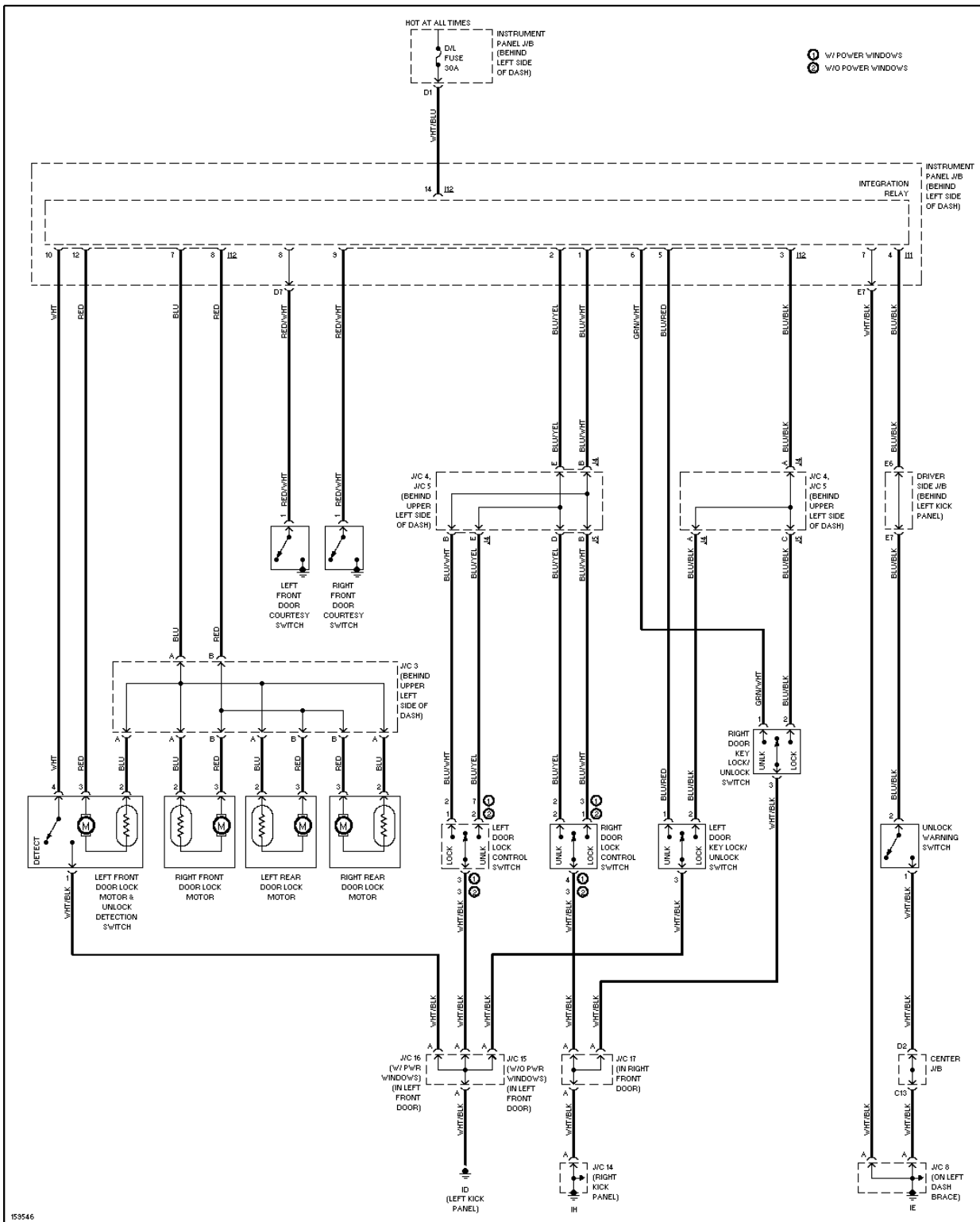


Fig. 29: Power Door Lock Circuit, TMMC Made

POWER MIRRORS

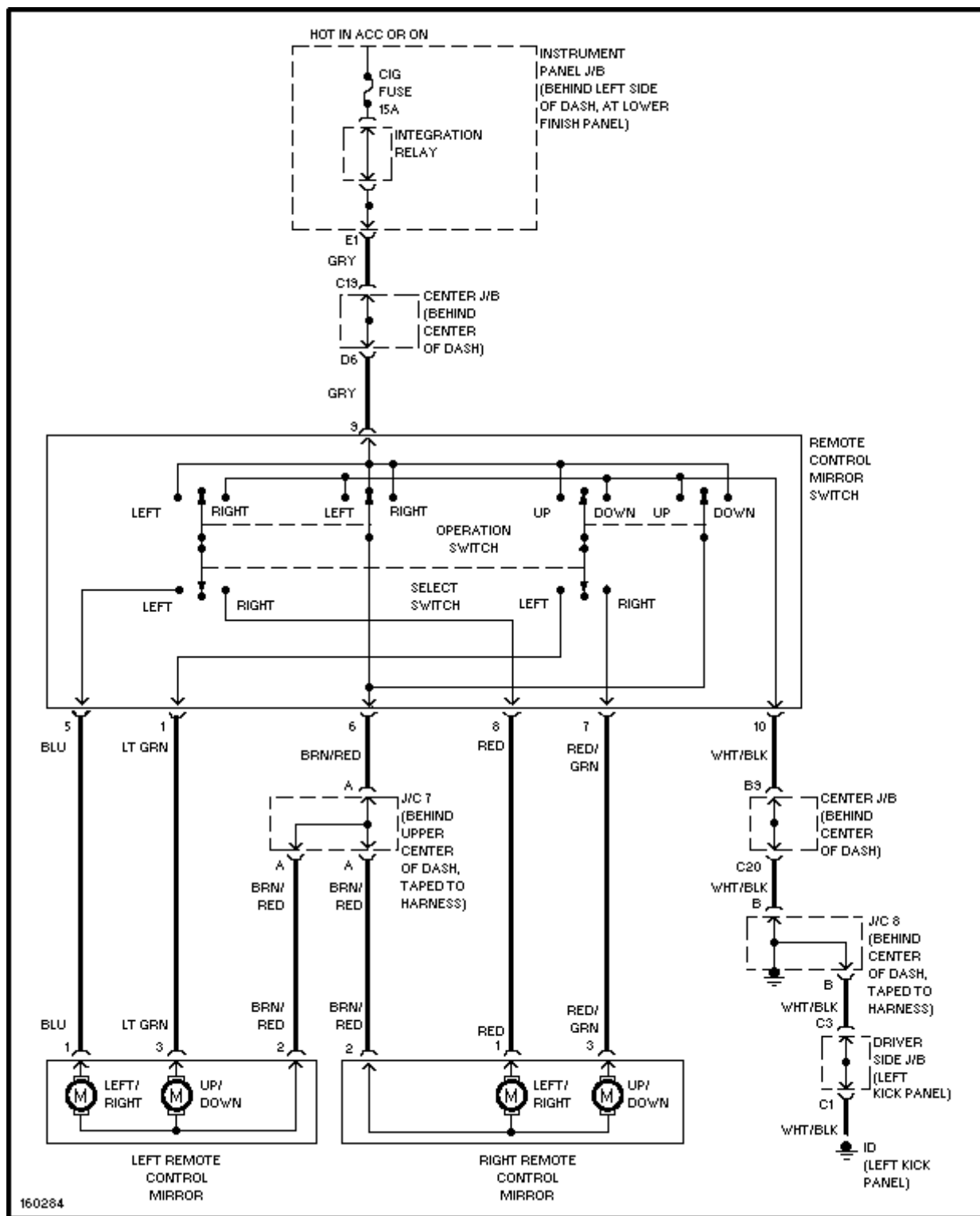


Fig. 30: Power Mirror Circuit

POWER TOP/SUNROOF

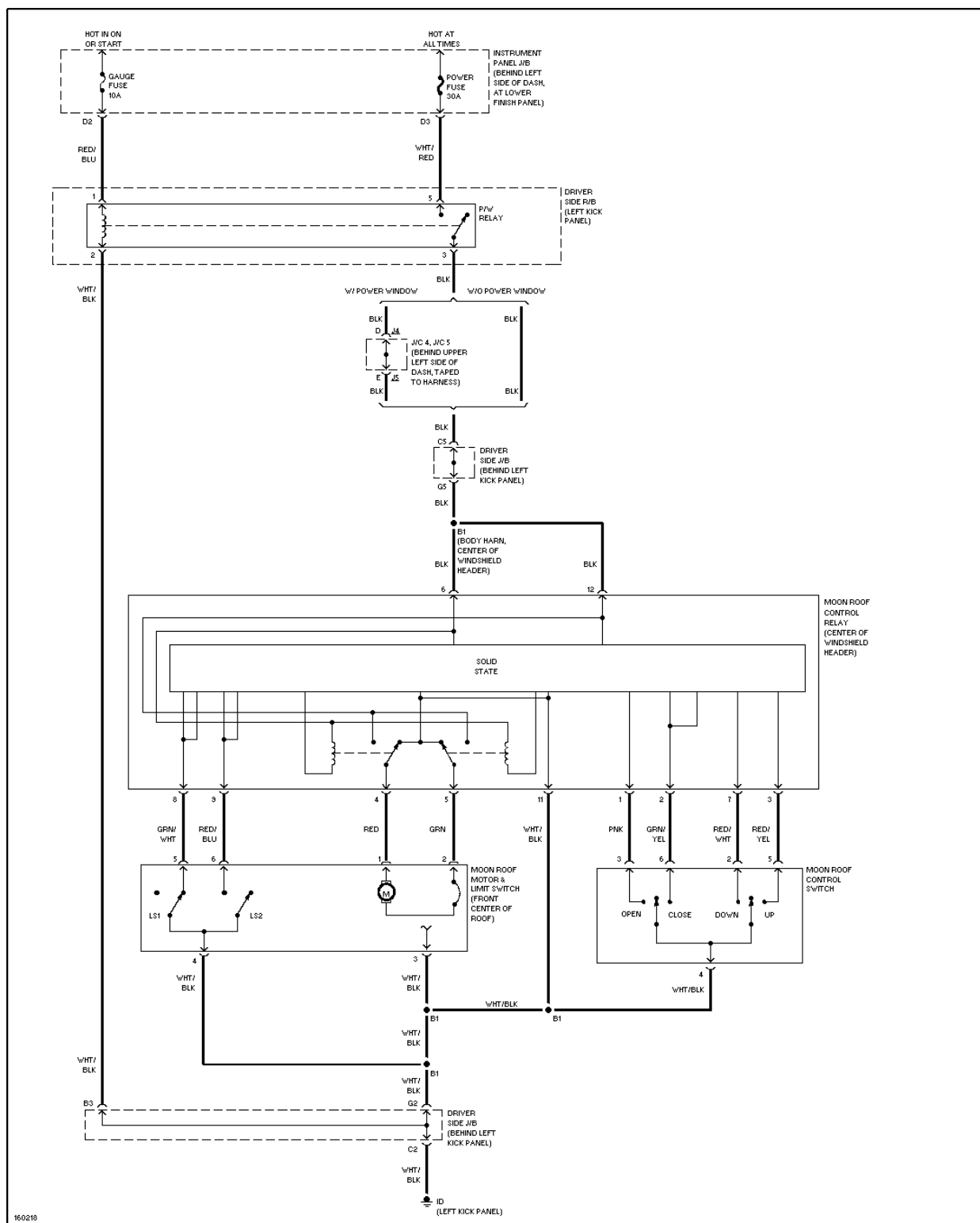


Fig. 31: Moonroof Circuit

POWER WINDOWS

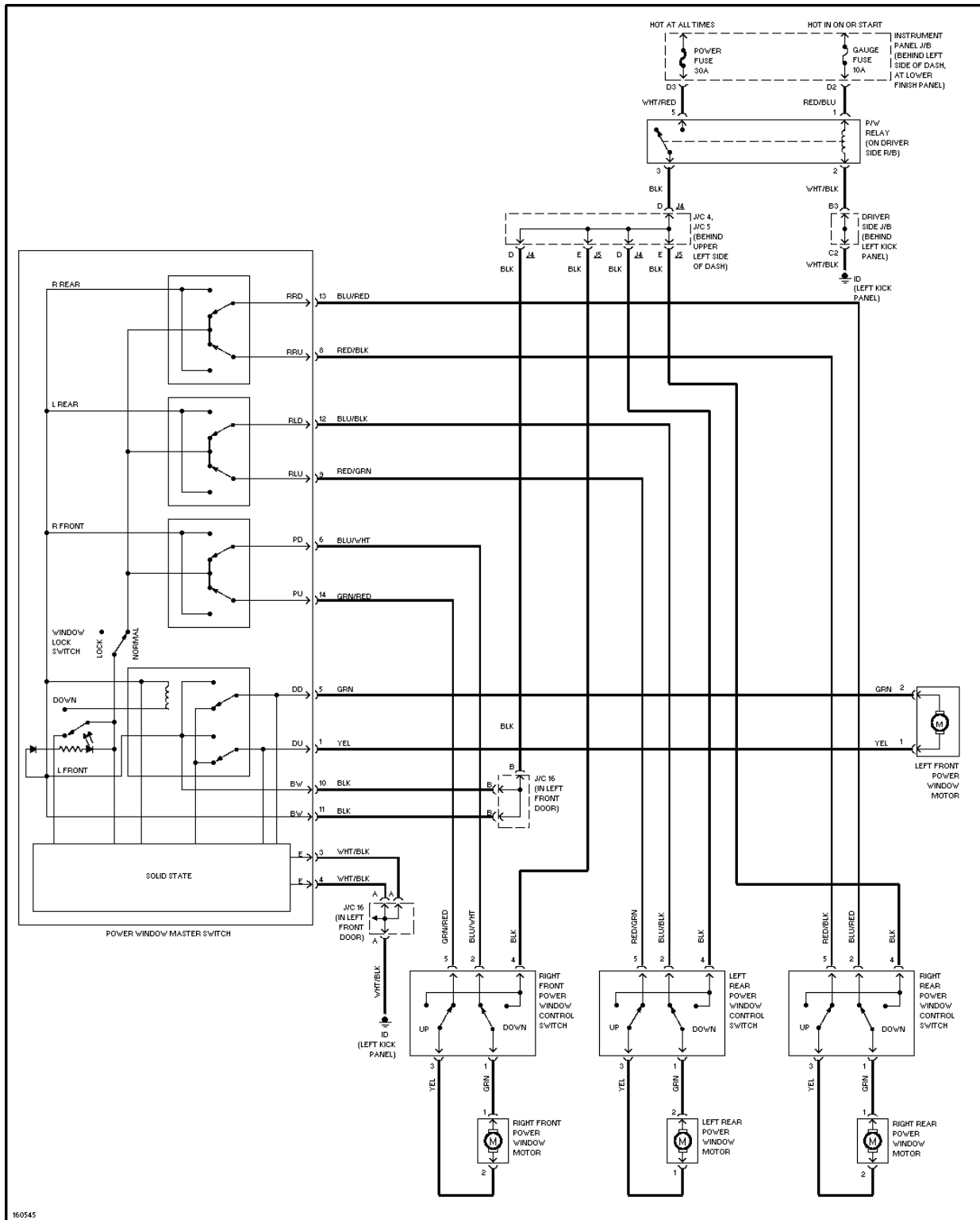


Fig. 32: Power Window Circuit

RADIO

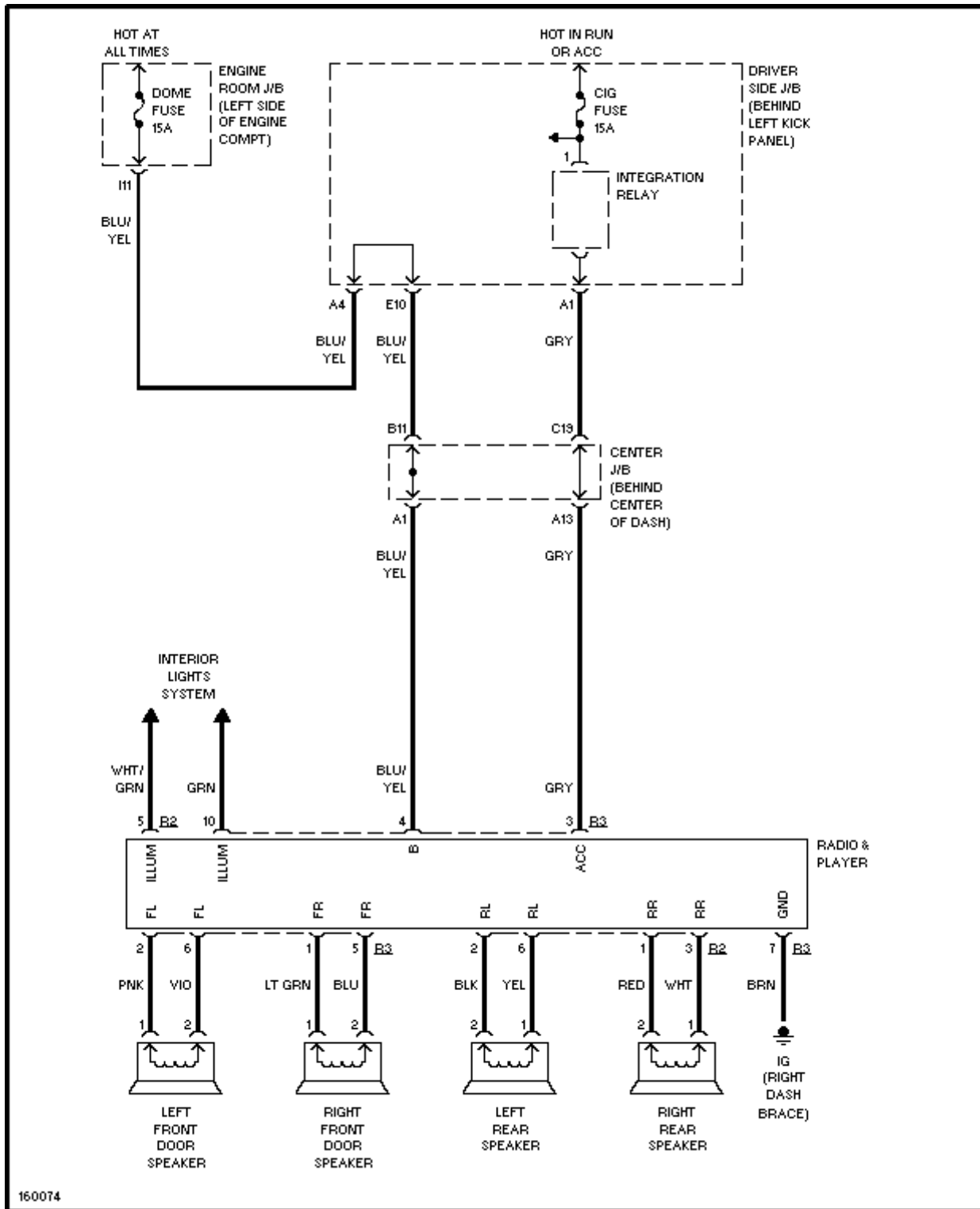


Fig. 33: Radio Circuits

SHIFT INTERLOCKS

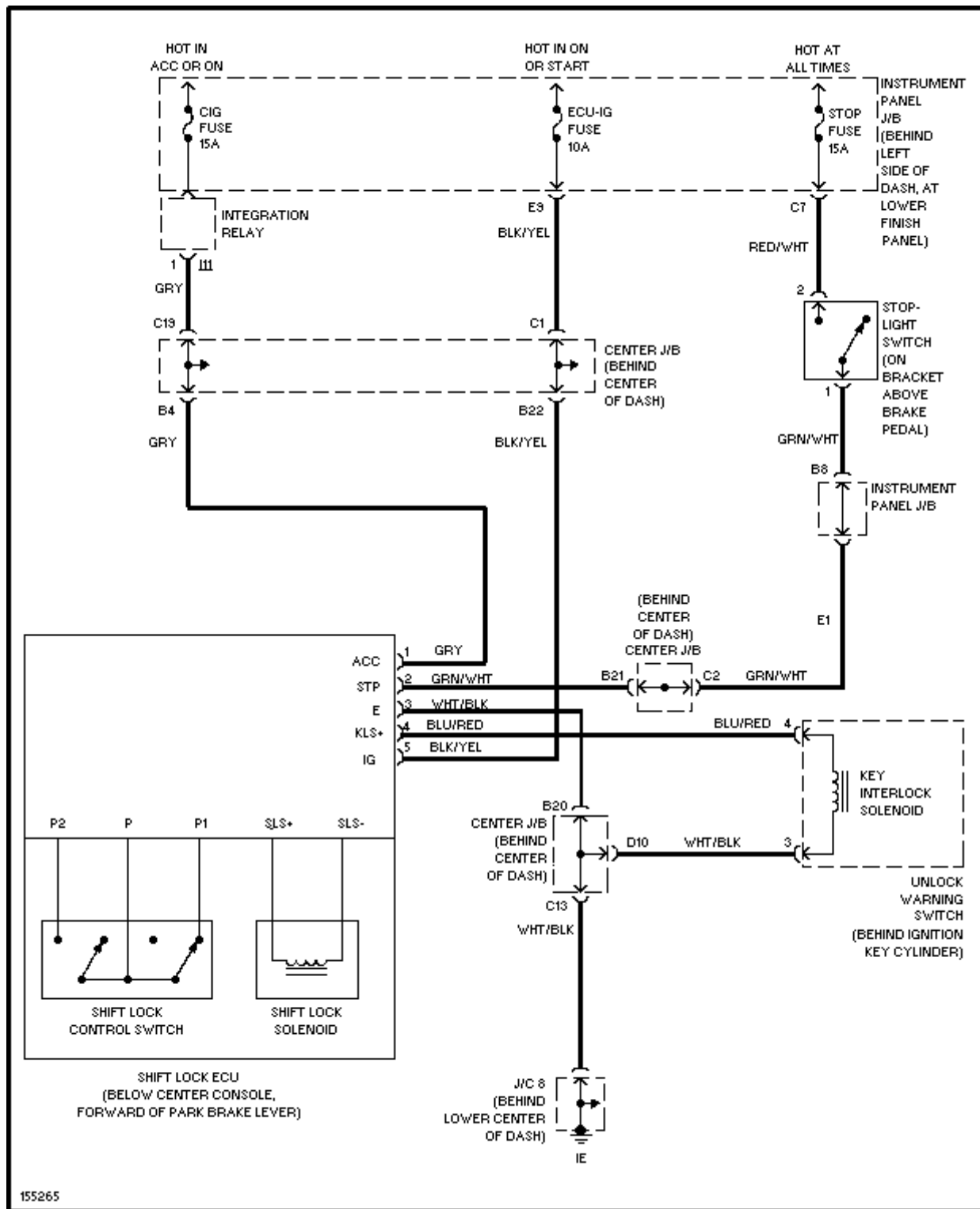


Fig. 34: Shift Interlock Circuit

STARTING/CHARGING

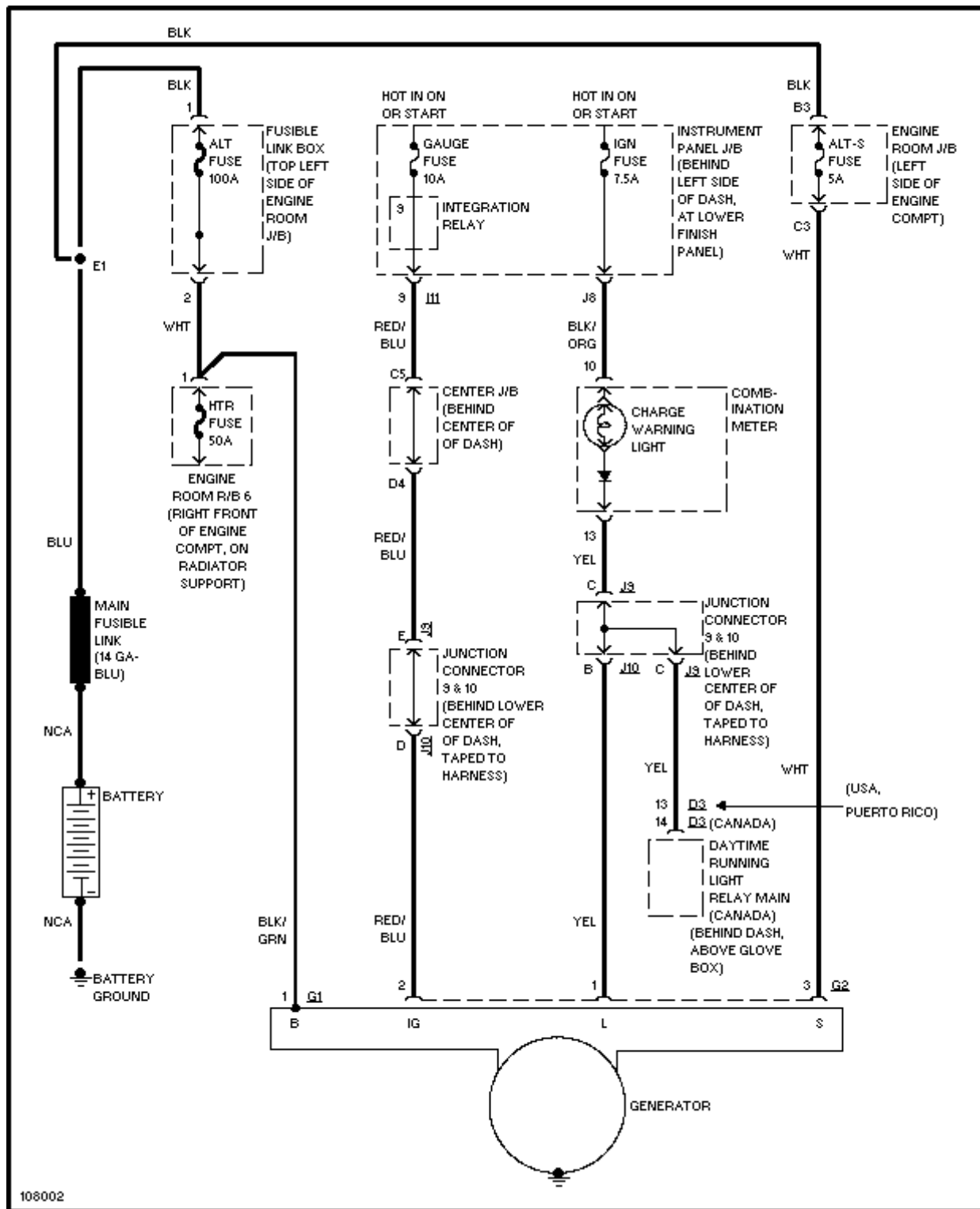


Fig. 35: Charging Circuit

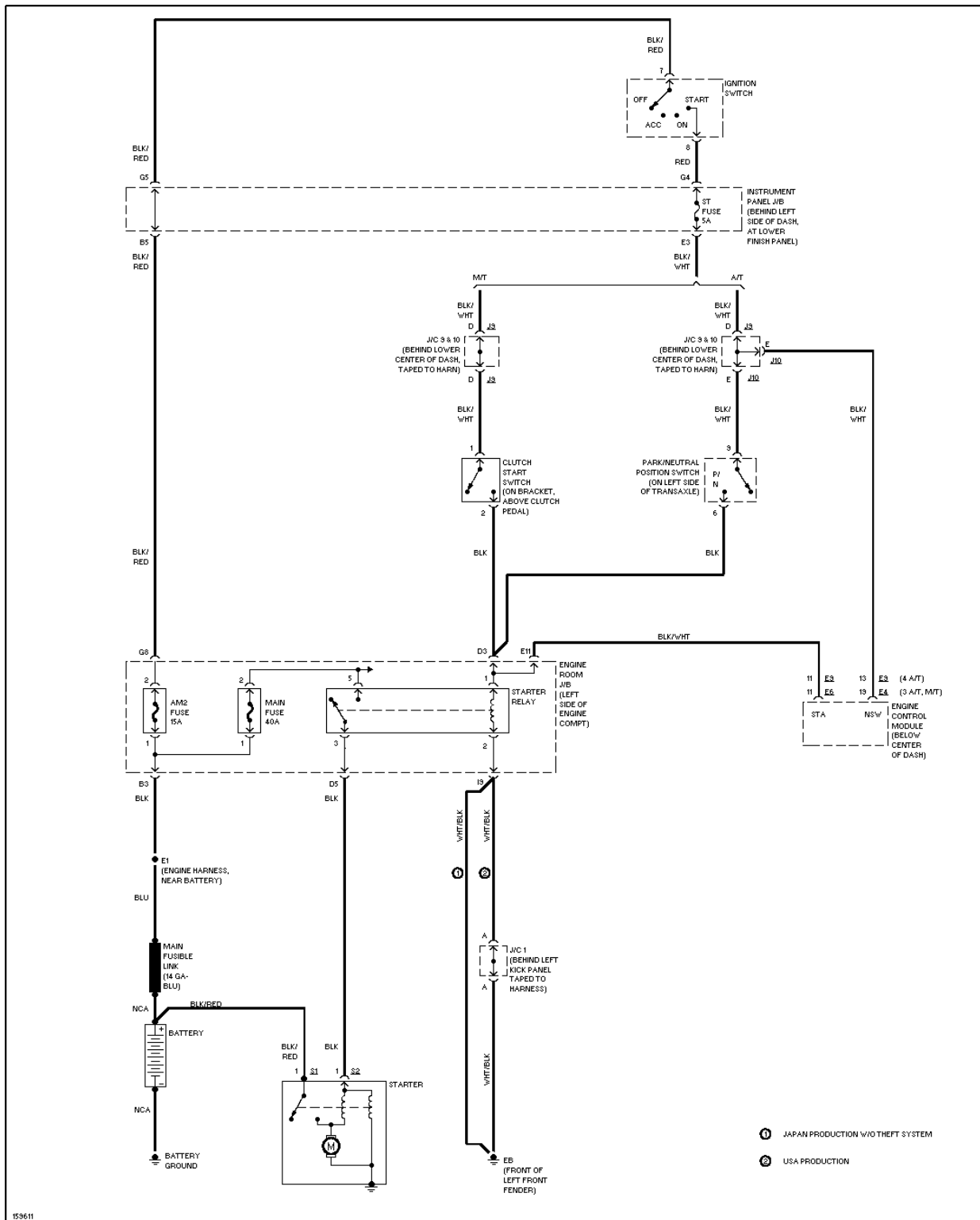


Fig. 36: Starting Circuit

SUPPLEMENTAL RESTRAINTS

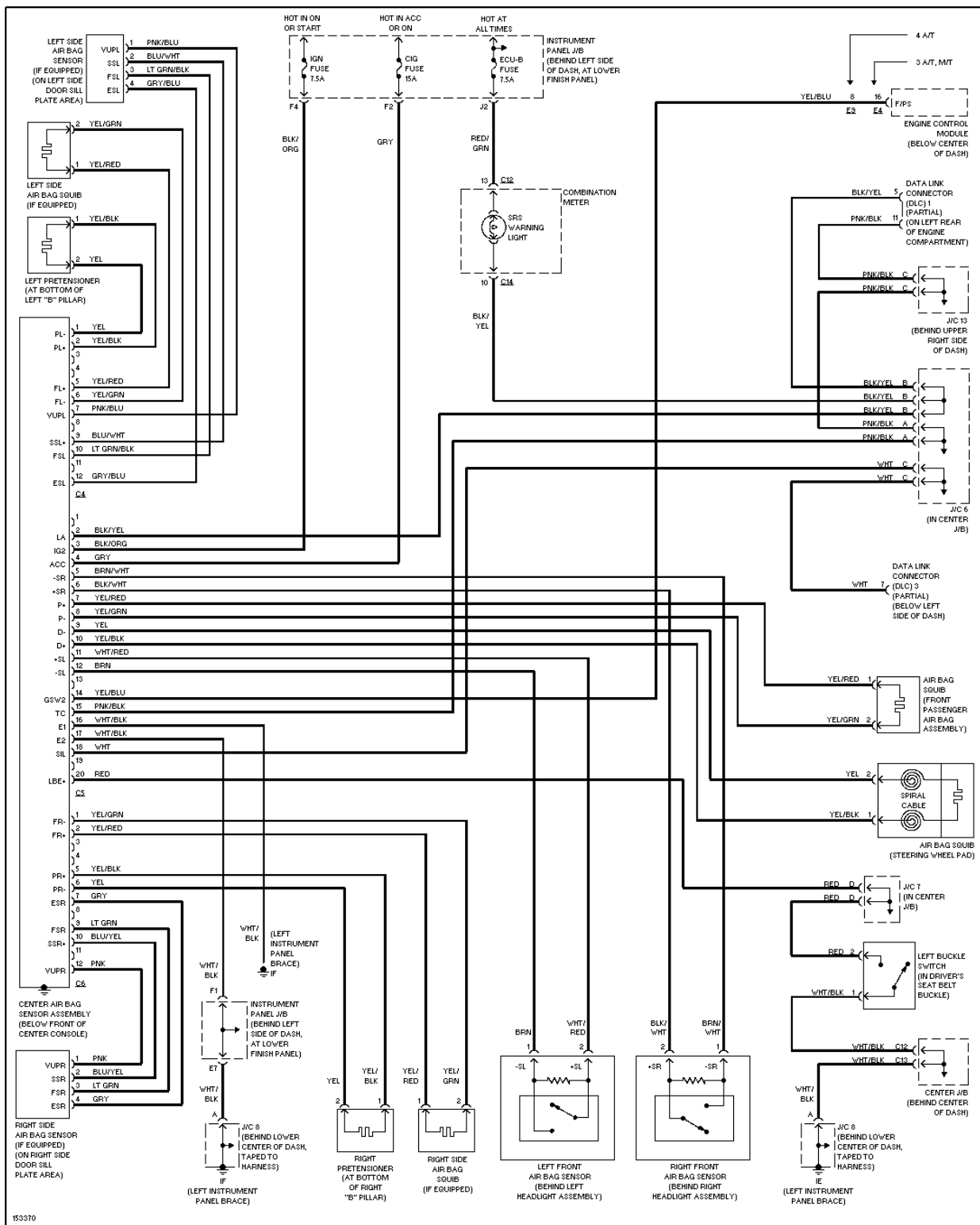


Fig. 37: Supplemental Restraint Circuit

TRANSMISSION

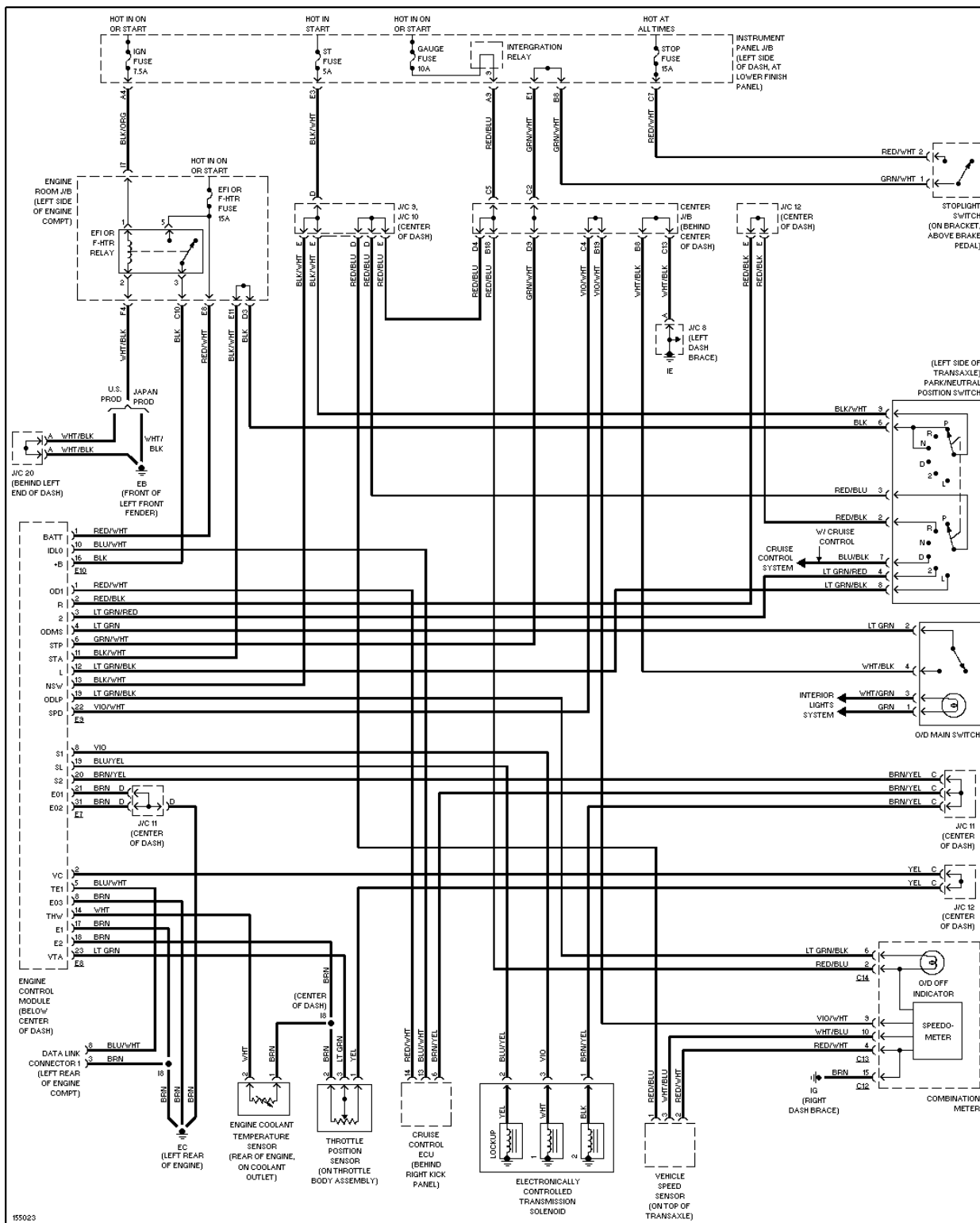


Fig. 38: A/T Circuit

WARNING SYSTEMS

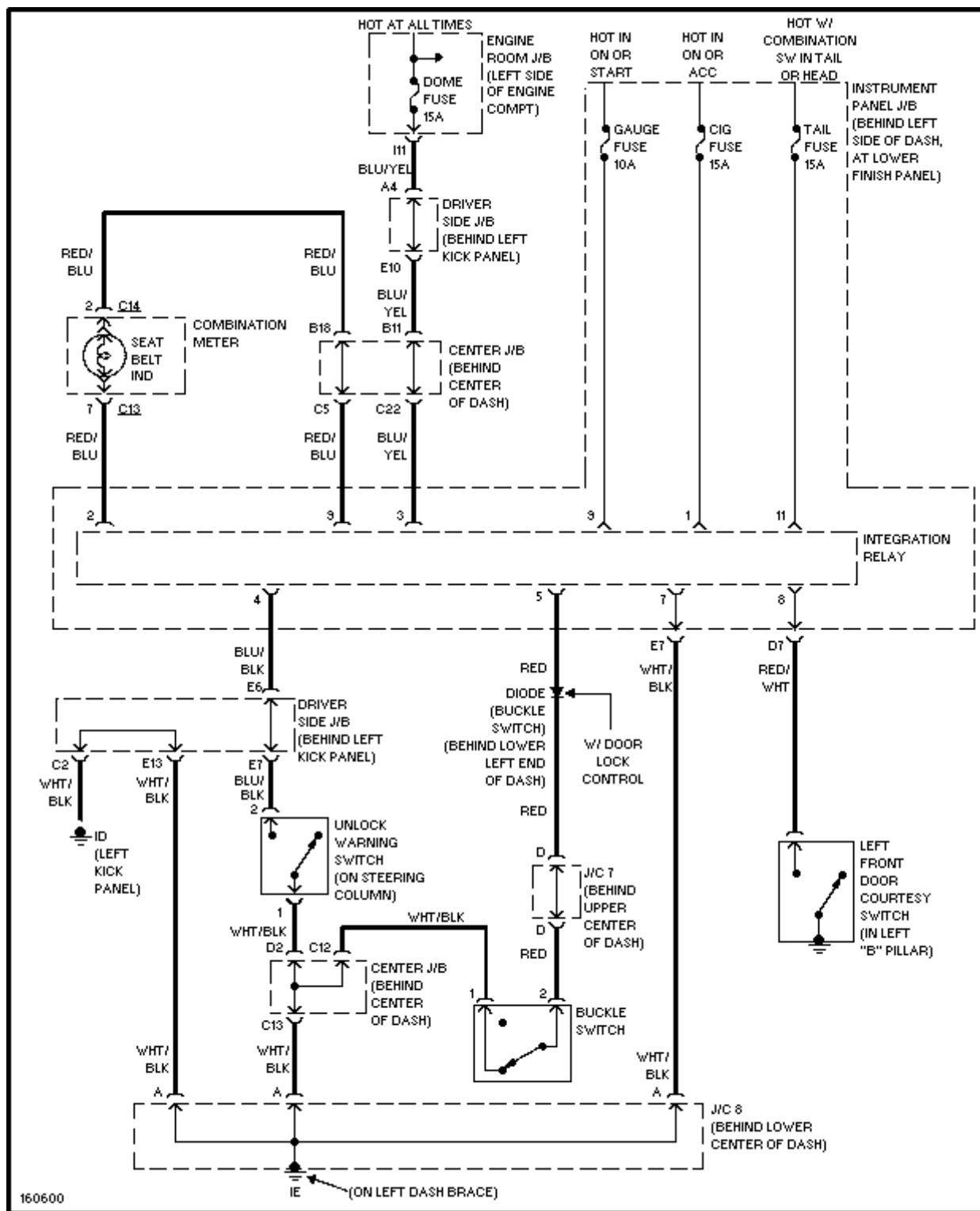


Fig. 39: Warning System Circuits

WIPER/WASHER

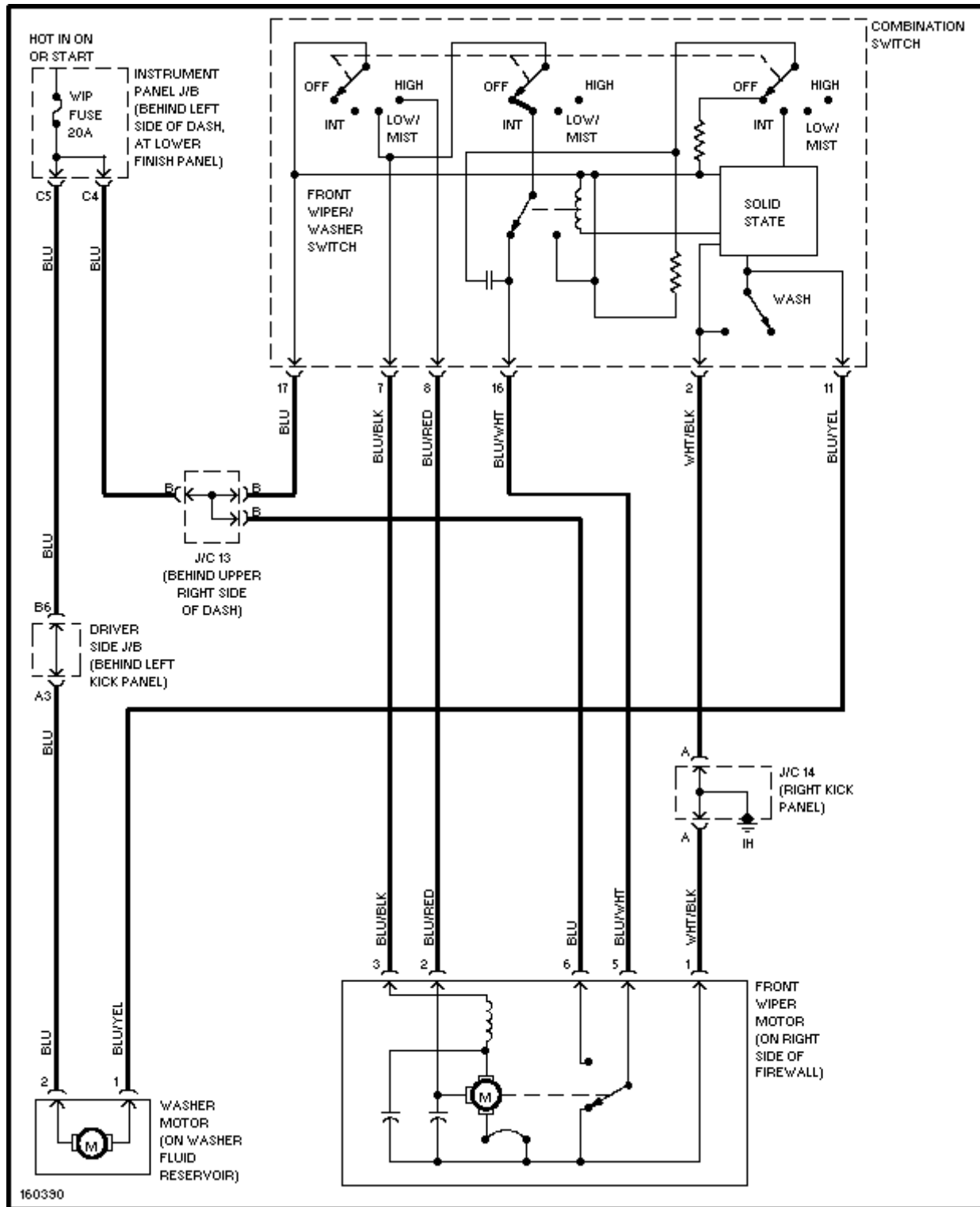


Fig. 40: Wiper/Washer Circuit